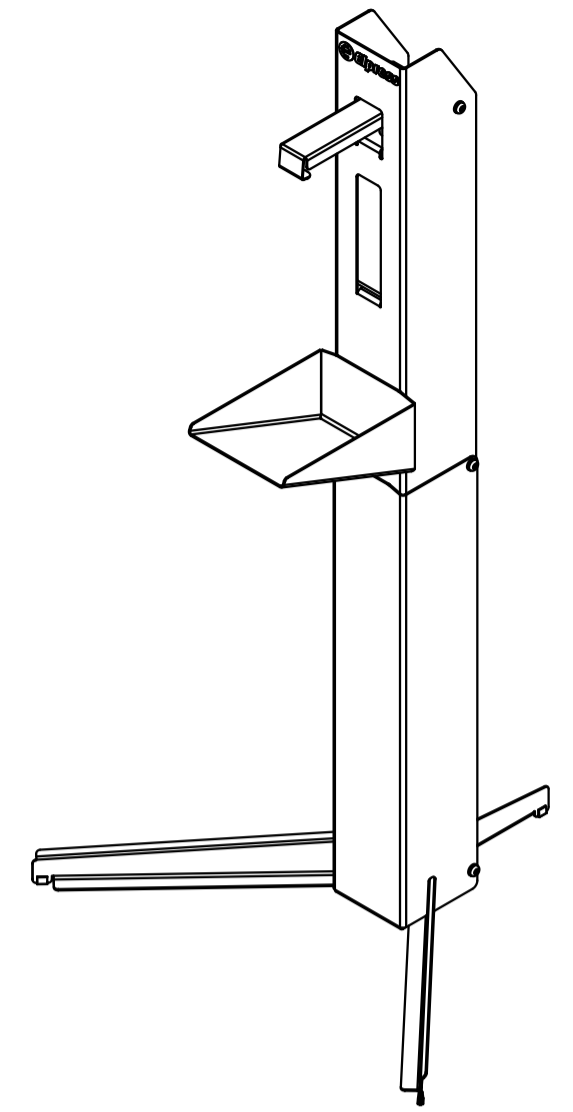
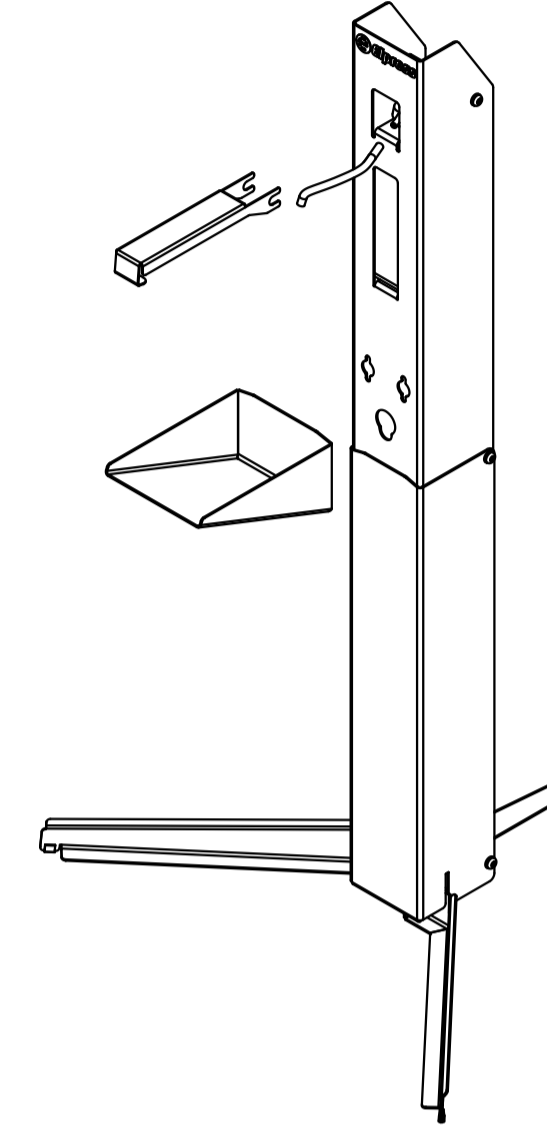
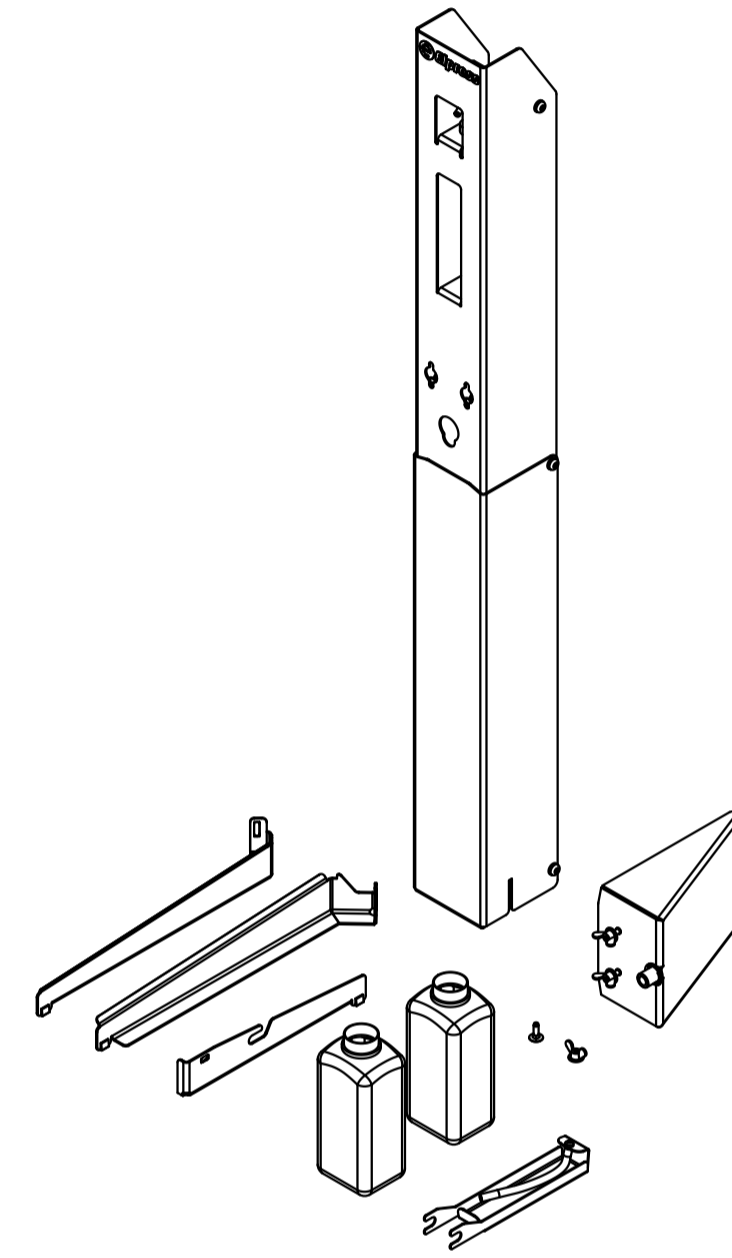
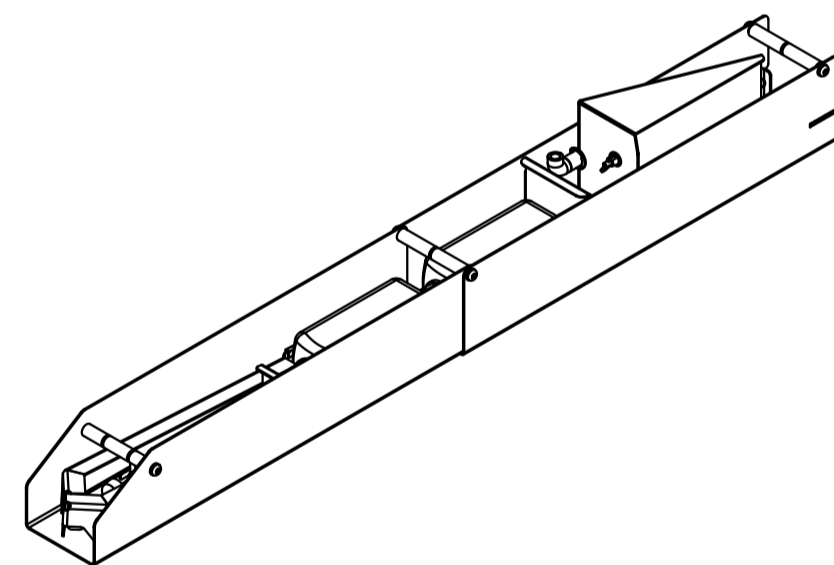
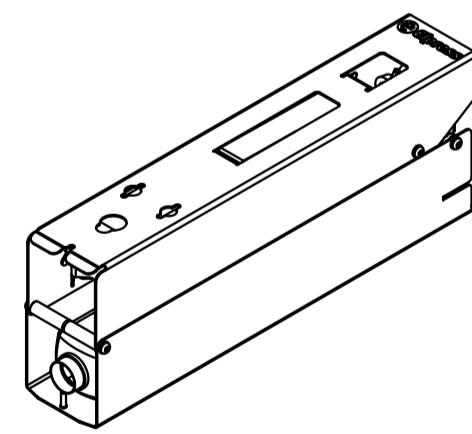
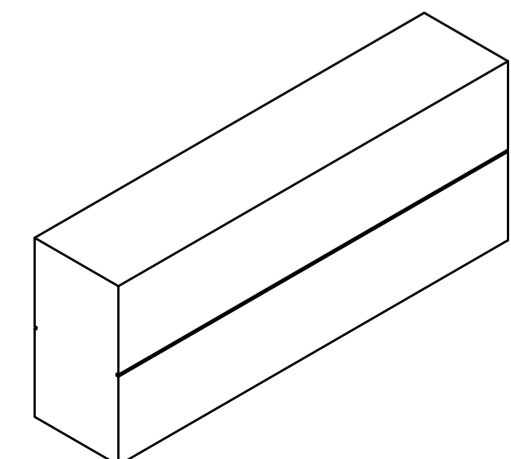


Part description		Part number		Rev	Ver
		Manual			
Unless noted √Ra 3.2	Model date 2020-03-27	Designer MRu	Drawn MRu	Mass N/A	Size A1
Units mm	Dimensions according to DIN ISO 286-1 (1990-11)	Roughness according to DIN ISO 4288 (1998-04)	Welding according to DIN EN ISO 4063 (2000-04)		
Handelstraat 21 5831 AV Bommel		Tel: 0485-550490 Fax: 0485-514022		info@elpress.nl www.elpress.nl	
<small>THIS PUBLICATION REMAINS THE PROPERTY OF THE PUBLISHER UNLESS CONTRACTUALLY SPECIFIED OTHERWISE. NO PART OF IT MAY BE REPRODUCED, STORED IN A RETRIEVAL SYSTEM OR TRANSMITTED IN ANY FORM OR BY ANY MEANS, WITHOUT THE PRIOR WRITTEN PERMISSION OF THE PUBLISHER.</small>					

( 1 : 9 )  
Manual



Part description		Part number		Rev	Ver
		Manual			
Unless noted $\sqrt{Ra}$ 3,2	Model date 2020-03-27	Designer MRu	Drawn MRu	Mass N/A	Size A1
Units mm	Dimensions according to DIN ISO 286-1 (1990-11)	Roughness according to DIN ISO 4288 (1998-04)	Welding according to DIN EN ISO 4063 (2000-04)	THIS PUBLICATION REMAINS THE PROPERTY OF THE PUBLISHER UNLESS CONTRACTUALLY SPECIFIED OTHERWISE. NO PART OF IT MAY BE REPRODUCED, STORED IN A RETRIEVAL SYSTEM OR TRANSMITTED IN ANY FORM OR BY ANY MEANS, WITHOUT THE PRIOR WRITTEN PERMISSION OF THE PUBLISHER.	
Handelstraat 21 5831 AV Bommel		Tel: 0485-550490 Fax: 0485-514022		info@elpress.nl www.elpress.nl	