



EQUIPAGGIAMENTI
TECNICI
LAVAGGIO

25.1520.12
LANCIA A SCHIUMA LS3-1 D=1.25
FOAM INJECTOR LS3

20/05/2002

CARATTERISTICHE TECNICHE - SPECIFICATIONS

| | |
|---|----------------------------------|
| - PRESSIONE NOMINALE RATED PRESSURE | 160 bar - 16 MPa (2300 psi) |
| - PRESSIONE CONSENTITA PERMISSIBLE PRESSURE | 180 bar - 16 MPa (2600 psi) |
| - PORTATA MASSIMA MAX FLOW RATE | VEDI DIAGRAMMA (SEE CHART BELOW) |
| - TEMPERATURA MASSIMA MAX WORKING TEMPERATURE | 60° C (140° F) |
| - UGELLO NOZZLE | ø1.25 [0.049"] ø1.4 [0.055"] |

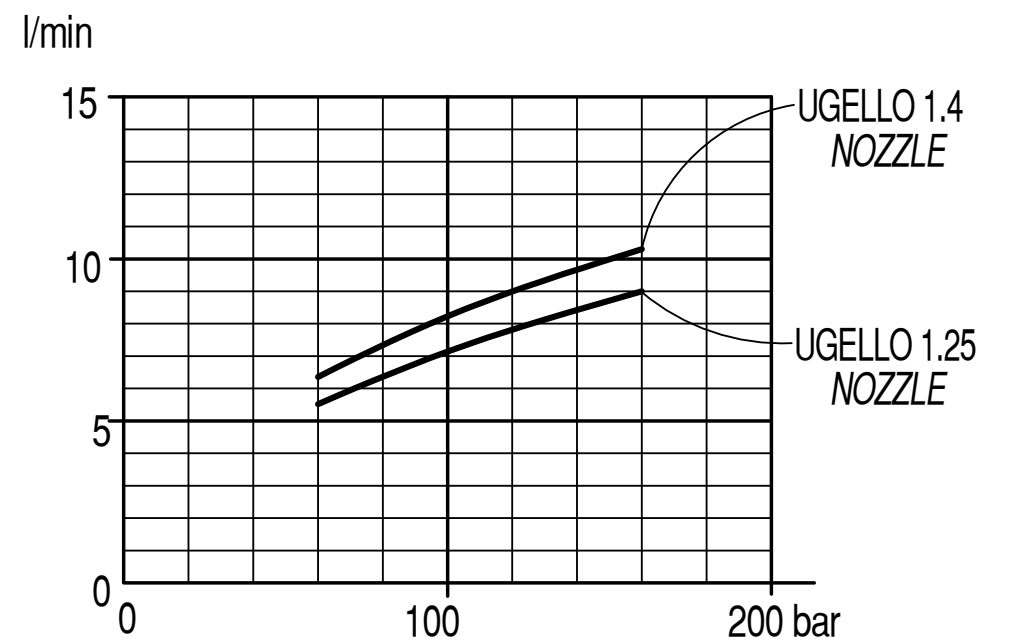
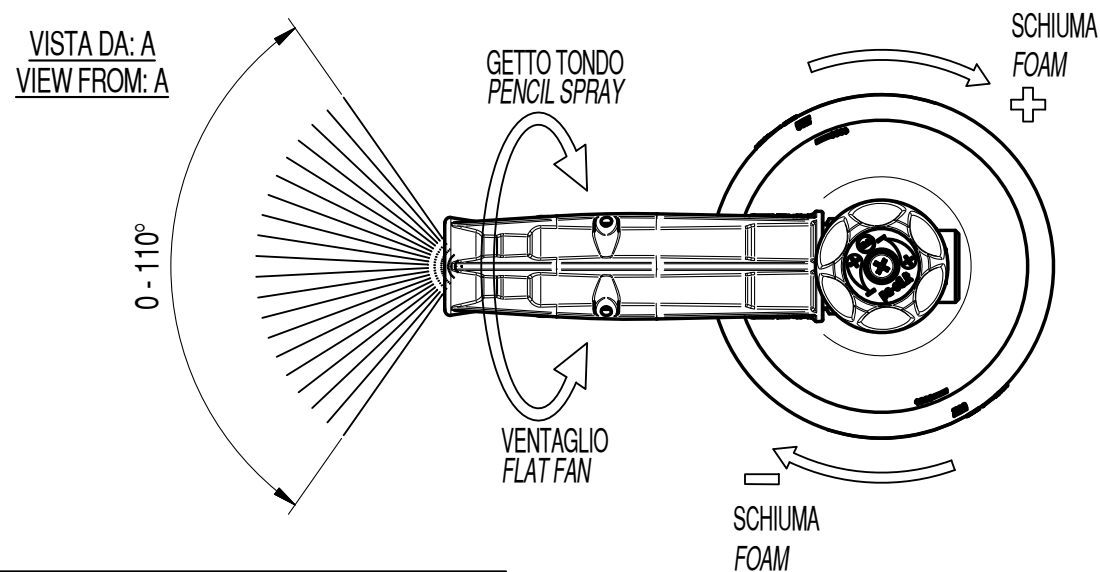
- REGOLATORE MICROMETRICO PER UN DOSAGGIO PRECISO
MICROMETRICAL REGULATOR FOR CORRECT DOSING
- FILTRO INTERNO INOX PER UNA SCHIUMA DI QUALITA'
INTERNAL SST FILTER FOR A QUALITY FOAM
- ROBUSTA COSTRUZIONE IN OTTONE E ACCIAIO INOX
STRONG BRASS & SST STRUCTURE
- ASPIRAZIONE ARIA LATO ANTERIORE
FRONT SIDE AIR INTAKE
- CAPPuccio A TENUTA PER EVITARE IL RITORNO DI SCHIUMA
SEALED CAP TO PREVENT FOAM RETURN

Attenzione: risciacquare con acqua pulita al termine di ogni utilizzo giornaliero allo scopo di mantenere pulito il filtro schiuma e consentire un corretto funzionamento.

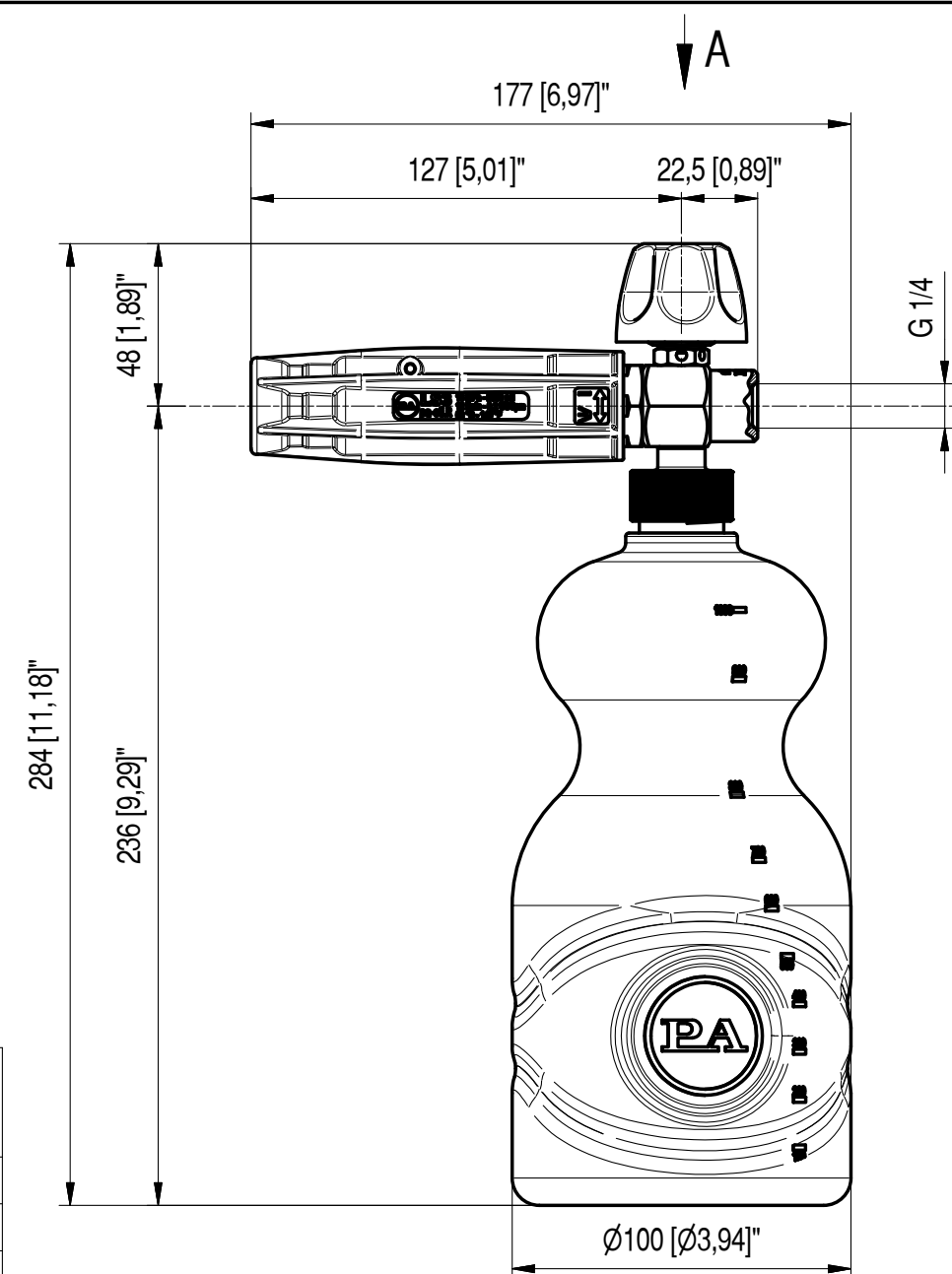
Warning: rinse with clear water after use every day to keep foam strainer clean and grant smooth functioning.



MISURE D'INGOMBRO - OVERALL DIMENSIONS

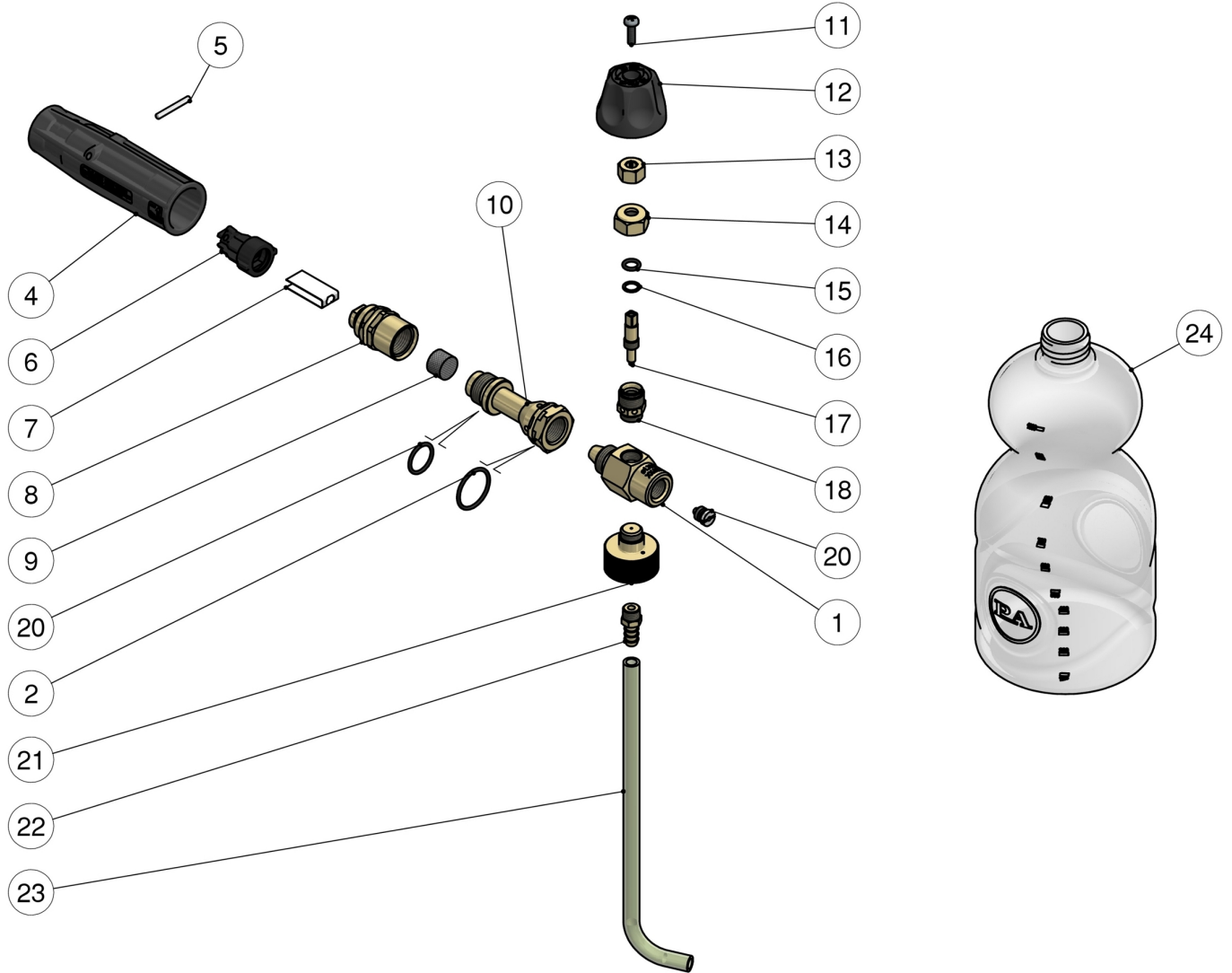


| CODICE (CODE) | UGELLO mm (NOZZLE inch.) |
|---------------|--------------------------|
| 25.1520.12 | 1.25 [0.049"] |
| 25.1520.14 | 1.4 [0.055"] |



25.1520.12 LS3.2 Lan.schiu.1,25mm+serbat. 1L

25.1520.14 LS3.1 Lancia schiuma 1,4mm+serbatoio 1L

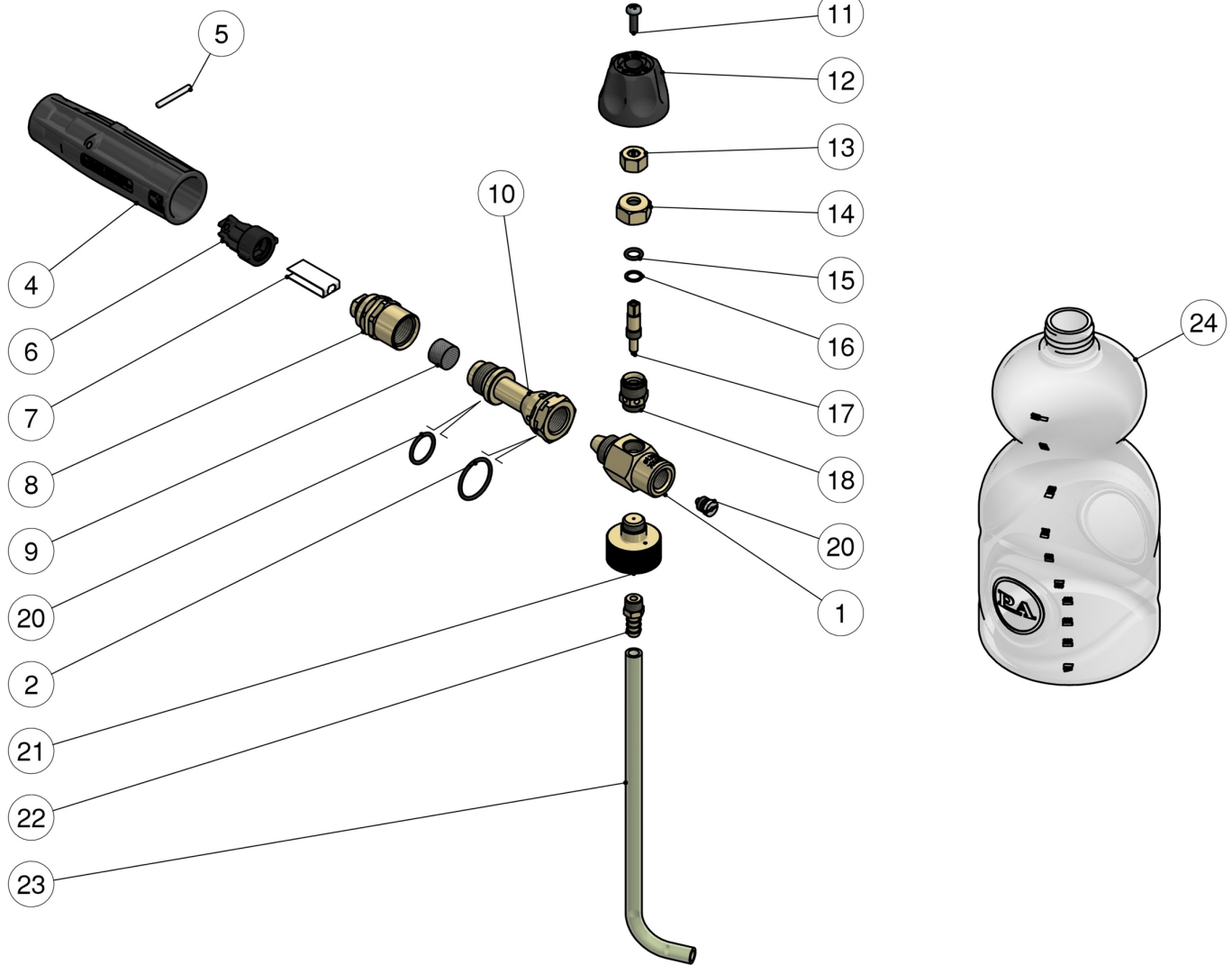


| Pos. | Codice | Descrizione | Q.tà | K1 | K2 | K3 | K4 | 📦 | Pos. | Codice | Descrizione | Q.tà | K1 | K2 | K3 | K4 | 📦 |
|------|------------|-------------------------------|------|----|----|----|----|----|------|------------|--------------------------------|------|----|----|----|----|----|
| 1 | 25.1503.31 | Corpo eiettore | 1 | | | | | 3 | 14 | 29.0938.31 | Ghiera M14x1 ott. | 1 | | | | | 10 |
| 2 | 10.3072.50 | An.OR 1,78x21,95 mm | 1 | | | | | 10 | 15 | 10.3052.00 | An.OR 1,78x6,75 mm | 1 | | | | | 25 |
| 3 | 10.3066.00 | An.OR 1,78x15,6 mm | 1 | | | | | 10 | 16 | 29.0940.51 | Rosetta 7x9,5x0,7 mm inox | 1 | | | | | 10 |
| 4 | 25.1018.84 | Manopola ugello nera | 1 | | | | | 10 | 17 | 25.1504.31 | Perno | 1 | | | | | 5 |
| 5 | 15.1041.00 | Spina cil. 3x25 mm inox | 1 | | | | | 10 | 18 | 25.1502.31 | Raccordo portaspillo | 1 | | | | | 5 |
| 6 | 25.0952.84 | Corpo deflettore | 1 | | | | | 10 | 19 | 15.3808.12 | Targhetta LS3 | 1 | | | | | 10 |
| 7 | 25.1020.53 | Deflettore inox | 1 | | | | | 10 | 20 | 21.0223.51 | Ugello M8x1 - 1,25 mm inox (1) | 1 | | | | | 5 |
| 8 | 25.1522.31 | Corpo eiettore | 1 | | | | | 3 | 20 | 21.0226.51 | Ugello M8x1 - 1,4 mm inox (2) | 1 | | | | | 5 |
| 9 | 25.1512.51 | Filtro pressato 14x10 mm inox | 1 | | | | | 10 | 21 | 25.1505.31 | Racc. portaserbatoio | 1 | | | | | 3 |
| 10 | 25.1521.31 | Corpo anteriore eiettore | 1 | | | | | 3 | 22 | 29.0103.31 | Nipplo ott.G1/8M+ptgm.8mm | 1 | | | | | 10 |
| 11 | 16.1840.00 | Vite DIN7985 M4x14 mm zinc. | 1 | | | | | 10 | 23 | 16.0521.00 | Tubo 6x9 L.255 mm PVC | 1 | | | | | 5 |
| 12 | 25.1535.84 | Manopola PA nera v.2 | 1 | | | | | 10 | 24 | 14.6502.00 | Serbatoio l.1 | 1 | | | | | 10 |
| 13 | 29.0924.31 | Dado scanalato ott. | 1 | | | | | 10 | | | | | | | | | |

(1) 25.1520.12 (2) 25.1520.14

25.1520.12 LS3.2 Foamer 1,25mm+1L tank

25.1520.14 LS3.1 Foamer 1,4mm + tank 1L



| Pos. | P/N | Description | Q.ty | K1 | K2 | K3 | K4 | 📦 | Pos. | P/N | Description | Q.ty | K1 | K2 | K3 | K4 | 📦 |
|------|------------|---------------------------------|------|----|----|----|----|----|------|------------|------------------------------------|------|----|----|----|----|----|
| 1 | 25.1503.31 | Injector housing | 1 | | | | | 3 | 14 | 29.0938.31 | Ring nut, M14x1 brass | 1 | | | | | 10 |
| 2 | 10.3072.50 | O-ring, 1,78x21,95 mm | 1 | | | | | 10 | 15 | 10.3052.00 | O-ring, 1,78x6,75 mm | 1 | | | | | 25 |
| 3 | 10.3066.00 | O-ring, 1,78x15,6 mm | 1 | | | | | 10 | 16 | 29.0940.51 | Washer, 7x9,5x0,7 mm Sst. | 1 | | | | | 10 |
| 4 | 25.1018.84 | Nozzle knob, black | 1 | | | | | 10 | 17 | 25.1504.31 | Pin | 1 | | | | | 5 |
| 5 | 15.1041.00 | Parallel pin, 3x25 mm Sst. | 1 | | | | | 10 | 18 | 25.1502.31 | Piston holder | 1 | | | | | 5 |
| 6 | 25.0952.84 | Deflector housing | 1 | | | | | 10 | 19 | 15.3808.12 | Label LS3 | 1 | | | | | 10 |
| 7 | 25.1020.53 | Sst deflector | 1 | | | | | 10 | 20 | 21.0223.51 | Nozzle, M8x1 - 1,25 mm Sst. (1) | 1 | | | | | 5 |
| 8 | 25.1522.31 | Injector housing | 1 | | | | | 3 | 20 | 21.0226.51 | Nozzle, M8x1 - 1,4 mm Sst. (2) | 1 | | | | | 5 |
| 9 | 25.1512.51 | Pressed strainer, 14x10 mm Sst. | 1 | | | | | 10 | 21 | 25.1505.31 | Tank holder | 1 | | | | | 3 |
| 10 | 25.1521.31 | Front injector housing | 1 | | | | | 3 | 22 | 29.0103.31 | Nipple, brass, 1/8M Bsp+8mm h.barb | 1 | | | | | 10 |
| 11 | 16.1840.00 | Screw, DIN7985 M4x14 mm z.pl. | 1 | | | | | 10 | 23 | 16.0521.00 | Hose, 6x9 L.255 mm PVC | 1 | | | | | 5 |
| 12 | 25.1535.84 | Knob, PA black v.2 | 1 | | | | | 10 | 24 | 14.6502.00 | Tank, l.1 | 1 | | | | | 10 |
| 13 | 29.0924.31 | Groove nut, brass | 1 | | | | | 10 | | | | | | | | | |

(1) 25.1520.12 (2) 25.1520.14



P.A. S.p.A.
Via Milano, 13
42048 Rubiera, Reggio Emilia - Italy
Tel +39.0522.623611
Fax +39.0522.629600
info@pa-etl.it

www.pa-etl.it



COMPANY WITH QUALITY MANAGEMENT
SYSTEM CERTIFIED BY DNV
= ISO 9001 =