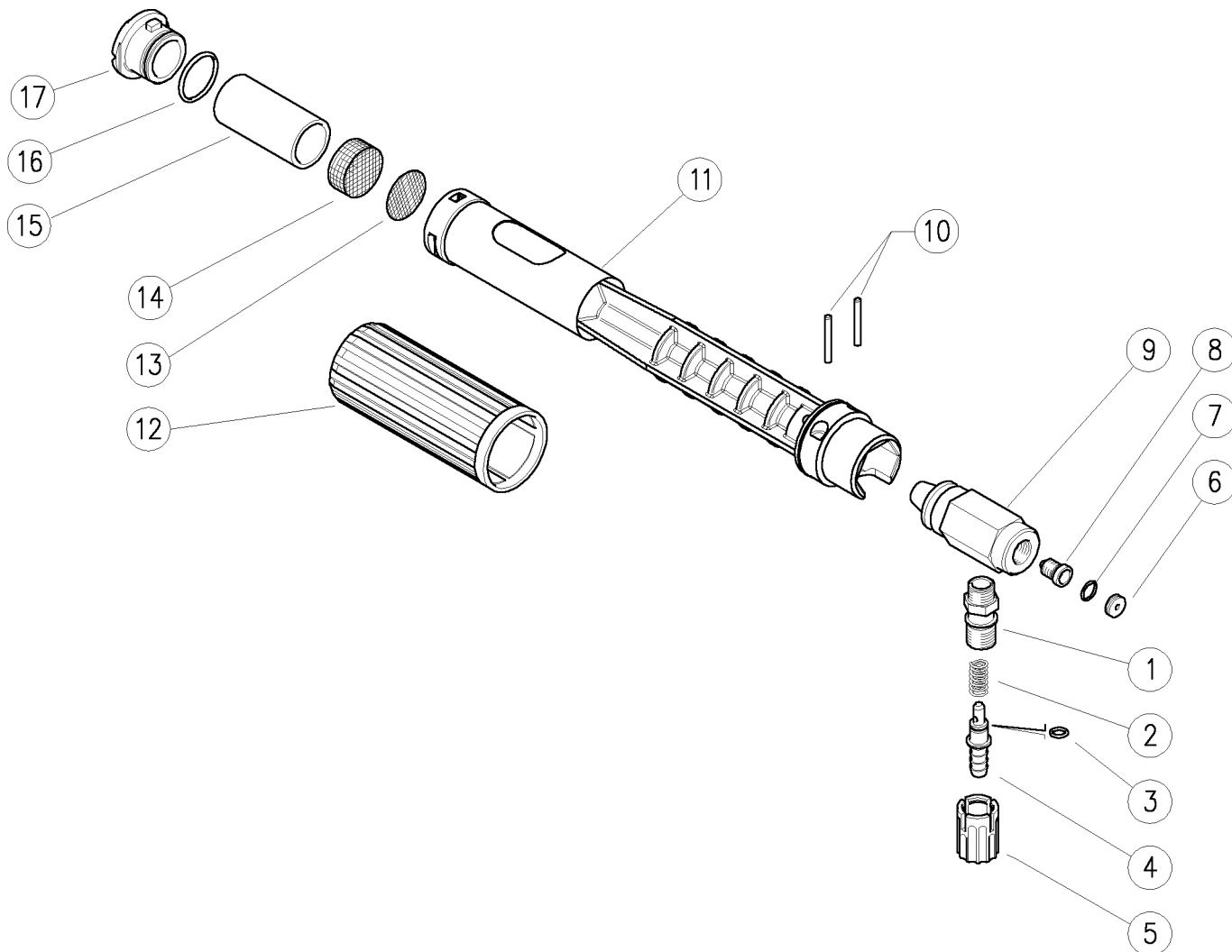


25.1800.15 LS12 Foamer, 1,5mm

25.1815.15 LS12 Foamer 1,5mm Sst.



Pos.	P/N	Description	Q.ty	K1	K2	K3	K4	
1	21.0173.31	Coupling, M12x1-1/4M Bsp brass	1	•	•			10
1	21.0173.51	Coupling, M12x1-1/4M Bsp Sst. (1)	1					5
2	21.0158.51	Spring, 0,8x7x15 mm Sst.	1	•	•			10
3	10.3043.01	O-ring, 1,78x4,48 mm Vi 70	1	•	•			10
4	21.0155.99	Hose barb, d.8 mm brass+o-ring (2)	1	•				3
4	21.0155.90	Hose barb, d.8 mm sst.+o-ring (1)	1	•				3
5	21.0171.84	Inject.knob, 1/4F Bsp black	1	•	•			10
6	25.0085.31	Nozzle insert	1					5
7	10.3003.00	O-ring, 1x8 mm	1					10
8	21.0007.51	Nozzle, M8x1 - 1,5 mm Sst.	1					10

Pos.	P/N	Description	Q.ty	K1	K2	K3	K4	
9	25.1803.31	Injector housing -LS12	1					3
9	25.1803.51	Injector Housing -LS12, Sst. (1)	1					3
10	30.0509.31	Parallel pin, 5x24,5 mm brass	2					10
11	25.1801.84	Lance housing -LS12	1					5
12	25.1805.84	Knob -LS12	1					5
13	29.0802.53	Diaphragm, 25x0,5 mm Sst.	1					10
14	25.1806.51	Pressed strainer,25x10mm 12g Sst.	1					10
15	25.1831.85	Spacer ring -LS12	1					5
16	10.3072.10	O-ring, 1,78x20,35 mm Vi 70	1					10
17	25.1802.84	Front nozzle -LS10-12 black	1					5

Kit	P/N	Description	
K1	21.0100.00	Regulator+h.barb 8-M12x1mm brs. inject.	50
K2	21.0108.00	Regulator+h.barb 8-M12x1 mm Sst.inject.	2

(1) 25.1815.15 (2) 25.1800.15