

# Mec

Aspirapolvere - Aspiraliquidi  
Wet and Dry Vacuum Cleaners



Integrated Professional Cleaning



**IPC Soteco**

# Mec



415  
403  
429  
423  
440  
433

515  
503

615  
603  
629  
623  
640  
633

202 Small  
203 Small  
215 Small

202  
203  
215

MODELLO MODEL	Motore bistadio Two stage motor W	Volt	Depress. col acqua Waterlift mm	Aria aspirata Air flow m³/h	Capacità totale fusto Total tank capacity l
<b>202</b>	1000 max Thru Flow	220-240	2250	160	24
<b>202 Small</b>	1000 max Thru Flow	220-240	2250	160	18
<b>203</b>	1150 max Thru Flow	220-240	2350	140	24
<b>203 Small</b>	1150 max Thru Flow	220-240	2350	140	18
Accessori standard/Standard Accessories Ø36: 1685 (1685G) - 6240 (2pcs) - 6158 - 616 - 617 - 632 - 4					
<b>215</b>	1200 max By Pass	220-240	2470	210	24
<b>215 Small</b>	1200 max By Pass	220-240	2470	210	18
Accessori standard/Standard Accessories Ø36: 1685 (1685G) - 6240 (2pcs) - 6158 - 616 - 617 - 632 - 4 - 2720					
<b>515</b>	1200 max By Pass	220-240	2470	210	32
<b>503</b>	1400 max By Pass	220-240	2500	215	32
Accessori standard/Standard Accessories Ø38: 6295 - 6388 - 3 - 8 - 6387 (2pcs) - 6389 - 6384 - 6385					
<b>615 - 415</b>	1200 max By Pass	220-240	2470	210	78-63
<b>603 - 403</b>	1400 max By Pass	220-240	2500	215	78-63
<b>629 - 429</b>	2400 max By Pass	220-240	2470	420	78-63
<b>623 - 423</b>	2600 max By Pass	220-240	2500	430	78-63
<b>640 - 440</b>	3300 max By Pass	220-240	2470	630	78-63
<b>633 - 433</b>	3500 max By Pass	220-240	2500	645	78-63
Accessori standard/Standard Accessories Ø38: 6295 - 6388 - 3 - 8 - 6387(2pcs) 6389 - 6384 - 6385					
Optional 2852-2855 - 6386-41-42-3200					

I dati relativi a depressione e aria aspirata si riferiscono ai singoli motori - Information about waterlift and airflow refers to single motors  
 Dati, descrizioni e illustrazioni sono forniti a titolo indicativo: la ditta si riserva di modificarli senza preavviso - Specifications, descriptions and pictures are supplied as indicative: IPC Soteco reserves modifying them without notice

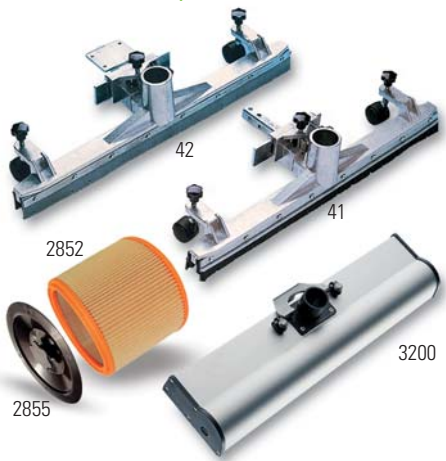
## Accessori Ø36 / Accessories Ø36



## Accessori Ø38 / Accessories Ø38



## Accessori / Optional / Accessories



Integrated Professional Cleaning

SOTECO SpA / Via E.Fermi,2 - 26022 - CASTELVERDE CR Italy - Tel. 0372 424611  
 EXPORT: fax 0372 429398 / e-mail: exp@soteco.com  
 ITALIA: fax 0372 429392 / e-mail: ita@soteco.com / INTERNET: www.soteco.com