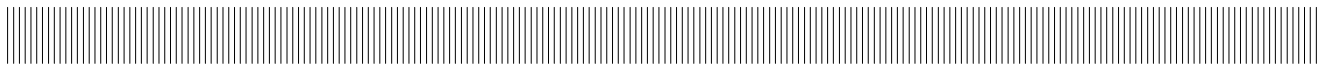


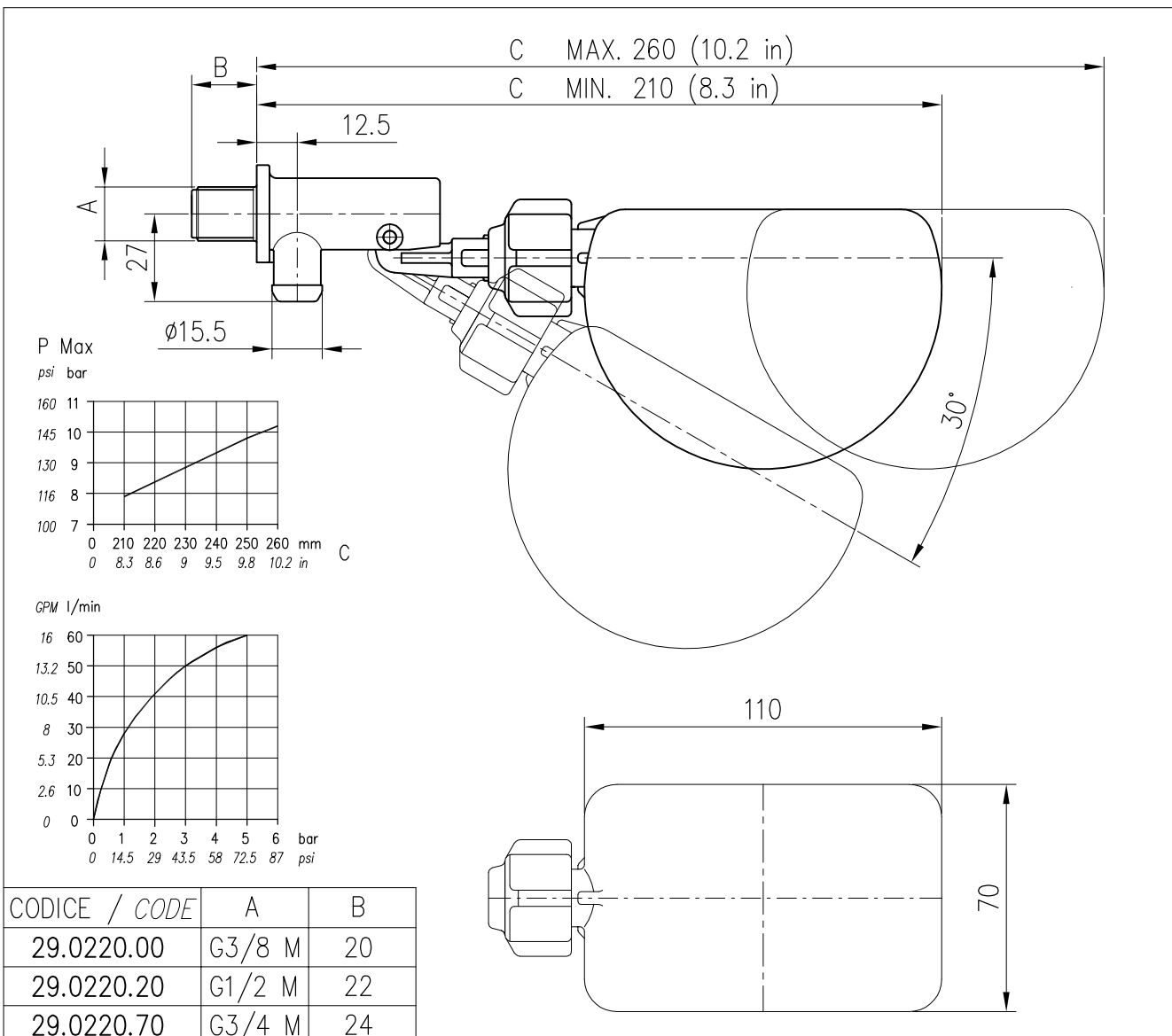
	E QUIPAGGIAMENTI T ECNICI L AVAGGIO	GALLEGGIANTE IN PLASTICA PLASTIC FLOAT VALVE RG30		
				



CARATTERISTICHE TECNICHE SPECIFICATIONS

- FUNZIONAMENTO WORKING	APERTURA E CHIUSURA CON COMANDO DIRETTO DIRECT ON/OFF SWITCH
- PRESSIONE MASSIMA MAX PRESSURE	10 bar - 1 MPa (145 psi)
- PORTATA A 1 bar - 0.1 MPa (14.5 psi) FLOW RATE AT 1 bar - 0.1 MPa (14.5 psi)	28 l/min (7.4 USG p.m.)
- PORTATA A 2 bar - 0.2 MPa (29 psi) FLOW RATE AT 2 bar - 0.2 MPa (29 psi)	40 l/min (10.5 USG p.m.)
- TEMPERATURA MASSIMA MAX WORKING TEMPERATURE	60° C (140°F)

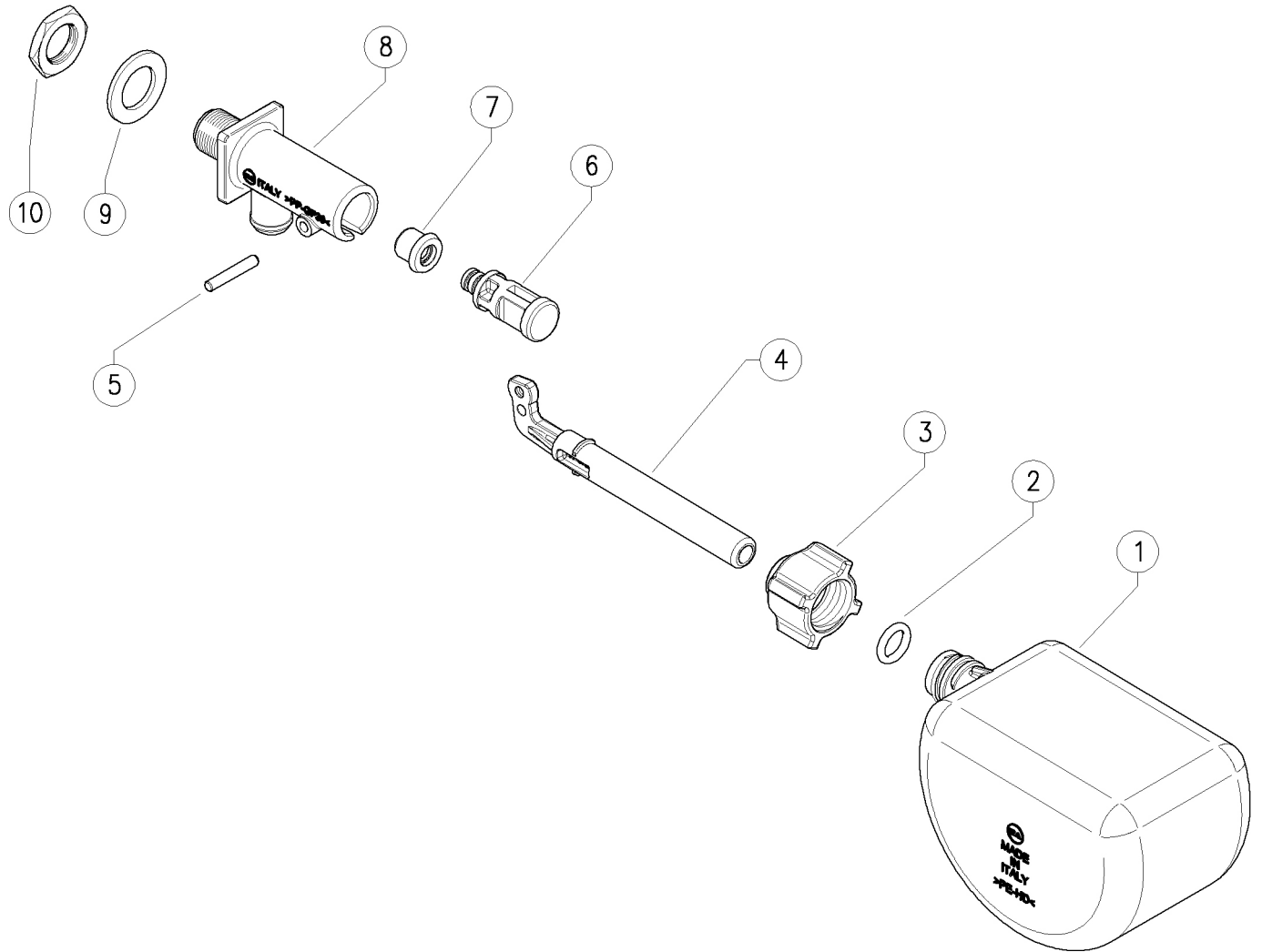
MISURE D'INGOMBRO OVERALL DIMENSIONS



29.0220.00 RG30 Galleggiante pla.30 l/min G3/8M

29.0220.70 RG30 Galleggiante pla.30 l/min G3/4M

29.0220.20 RG30 Galleggiante pla.30 l/min G1/2M



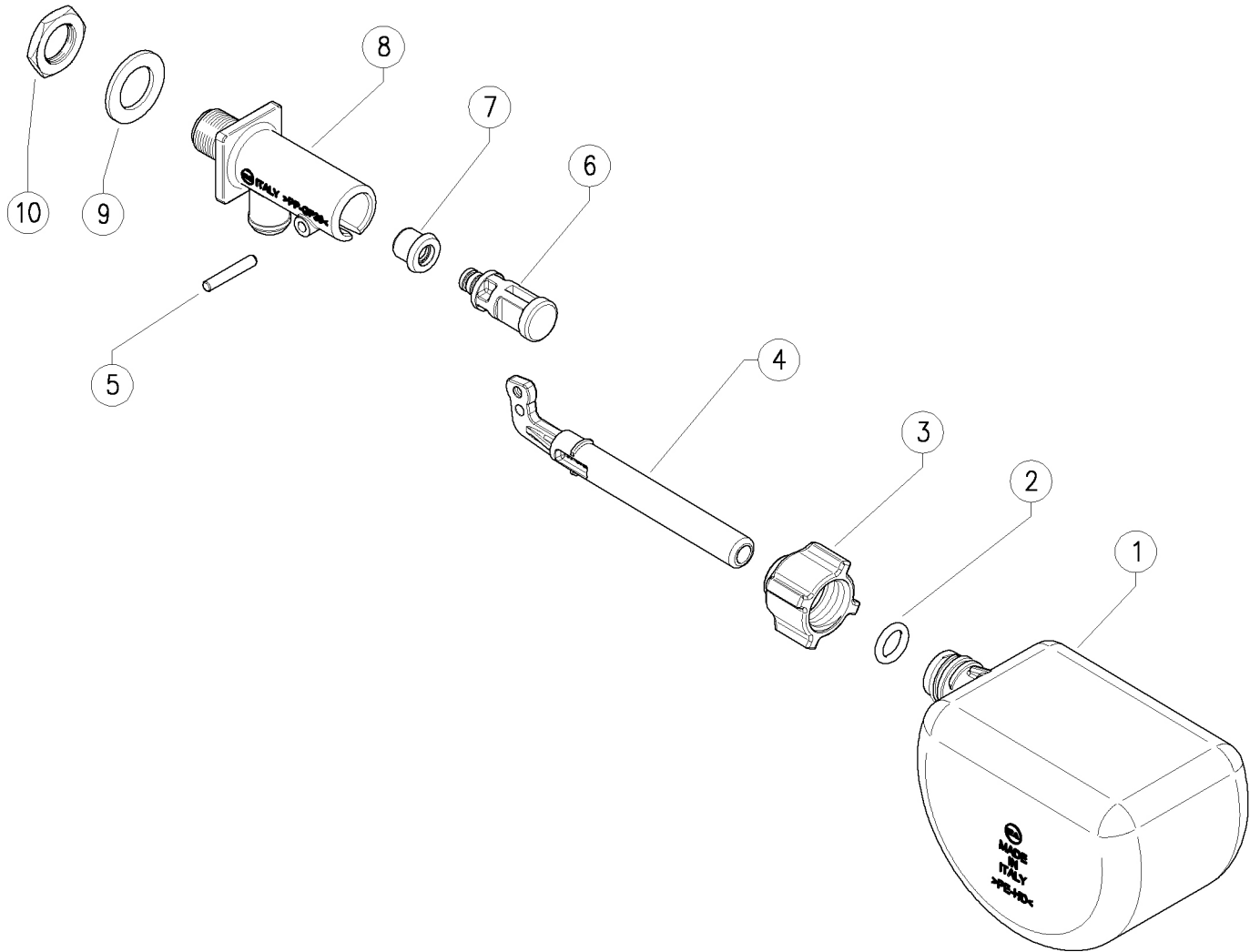
Pos.	Codice	Descrizione	Q.tà	K1	K2	K3	K4	
1	29.0227.84	Galleggiante RG30	1					10
2	10.3175.00	An.OR 2,62x10,77 mm	1					10
3	29.0226.84	Girello D.35mm	1					10
4	29.0225.84	Asta galleggiante RG30	1					5
5	30.1504.51	Spina cil. 4x24 mm inox	1					10
6	29.0224.84	Pistone RG30	1					10
7	29.0221.85	Guarnizione	1					5
8	29.0222.84	Corpo galle.RG30 G3/8 M (1)	1					5
8	29.0223.84	Corpo galle.RG30 G1/2 M (2)	1					5
8	29.0228.84	Corpo galle.RG30 G3/4 M (3)	1					5
9	29.0176.81	Guarn. Front. 17x28x2 mm NBR (1)	1					10
9	29.0177.81	Guarn. Front. 19x30x2 mm nero (2)	1					10
9	29.0189.81	Guarn. Front. 26x36x2 mm NBR (3)	1					10
10	29.0171.31	Dado,ott. G3/8F (1)	1					50
10	29.0175.31	Dado G1/2F ott. (2)	1					10
10	29.0188.31	Dado G3/4F ott. (3)	1					10

(1) 29.0220.00 (2) 29.0220.20 (3) 29.0220.70

29.0220.00 RG30 Plastic float valve, 3/8Bsp M

29.0220.20 RG30 Plastic float valve, 1/2Bsp M

29.0220.70 RG30 Plastic float valve, 3/4Bsp M



Pos.	P/N	Description	Q.ty	K1	K2	K3	K4	
1	29.0227.84	Float body RG30	1					10
2	10.3175.00	O-ring, 2,62x10,77 mm	1					10
3	29.0226.84	Hand nut, 35 mm	1					10
4	29.0225.84	Rod RG30	1					5
5	30.1504.51	Parallel pin, 4x24 mm Sst.	1					10
6	29.0224.84	Piston RG30	1					10
7	29.0221.85	Front gasket, CR	1					5
8	29.0222.84	Float valve body 3/8 Bsp M (1)	1					5

Pos.	P/N	Description	Q.ty	K1	K2	K3	K4	
8	29.0223.84	Float valve body 1/2 Bsp M (2)	1					5
8	29.0228.84	Float valve body 3/4 Bsp M (3)	1					5
9	29.0176.81	Front seal, 17x28x2 mm NBR (1)	1					10
9	29.0177.81	Front seal, 19x30x2 mm black (2)	1					10
9	29.0189.81	Front seal, 26x36x2 mm NBR (3)	1					10
10	29.0171.31	Nut, brass, 3/8F Bsp (1)	1					50
10	29.0175.31	Nut, 1/2F Bsp brass (2)	1					10
10	29.0188.31	Nut, 3/4F Bsp brass (3)	1					10

(1) 29.0220.00 (2) 29.0220.20 (3) 29.0220.70



P.A. S.p.A.

Via Milano, 13
42048 Rubiera, Reggio Emilia - Italy

Tel +39.0522.623611
Fax +39.0522.629600

info@pa-etl.it

www.pa-etl.it



COMPANY WITH QUALITY MANAGEMENT
SYSTEM CERTIFIED BY DNV
= ISO 9001 =