



EQUIPAGGIAMENTI  
TECNICI  
LAVAGGIO

25.1530.18

LANCIA SCHIUMA ASPIRAZIONE ESTERNA LS3  
FOAM INJECTOR LS3 EXTERNAL SUCTION

①

GB

4

06/06/13

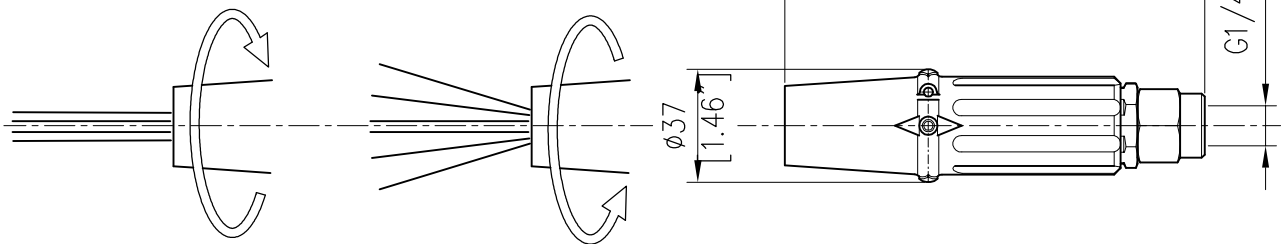
- REGOLATORE MICROMETRICO PER UN DOSAGGIO PRECISO  
*MICROMETRICAL REGULATOR FOR CORRECT DOSING*
- ASPIRAZIONE ARIA LATO ANTERIORE  
*FRONT SIDE AIR INTAKE*
- ROBUSTA COSTRUZIONE IN OTTONE E ACCIAIO INOX  
*STRONG BRASS & SST STRUCTURE*
- CAPPuccio A TENUTA PER EVITARE IL RITORNO DI SCHIUMA  
*SEALED CAP TO PREVENT FOAM RETURN*

### SPECIFICHE TECNICHE *TECHNICAL SPECIFICATION*

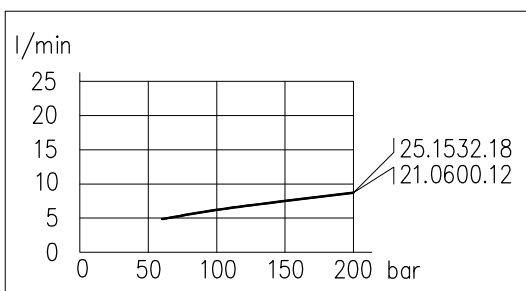
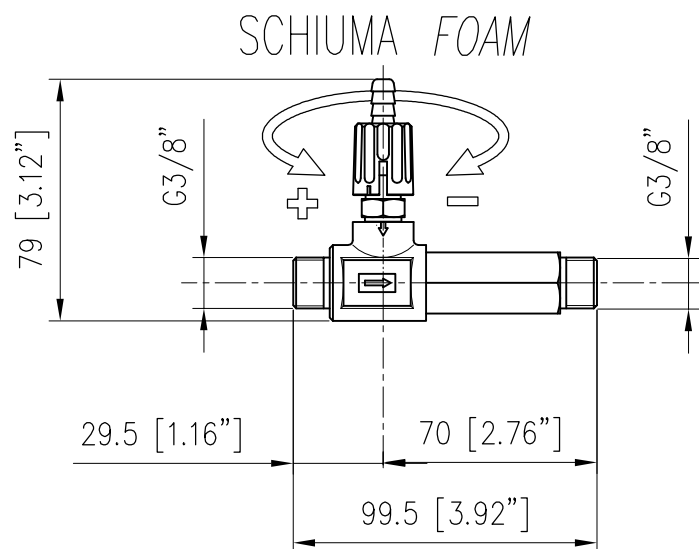
- PRESSIONE NOMINALE <i>RATED PRESSURE</i>	160 bar – 16 MPa (2300 psi)
- PRESSIONE CONSENTITA <i>PERMISSIBLE PRESSURE</i>	180 bar – 18 MPa (2600 psi)
- PORTATA MASSIMA <i>MAX FLOW RATE</i>	VEDI DIAGRAMMA <i>SEE CHART BELOW</i>
- TEMPERATURA MASSIMA <i>MAX WORKING TEMPERATURE</i>	60° C (140 °F)

### MISURE D'INGOMBRO *OVERALL DIMENSIONS*

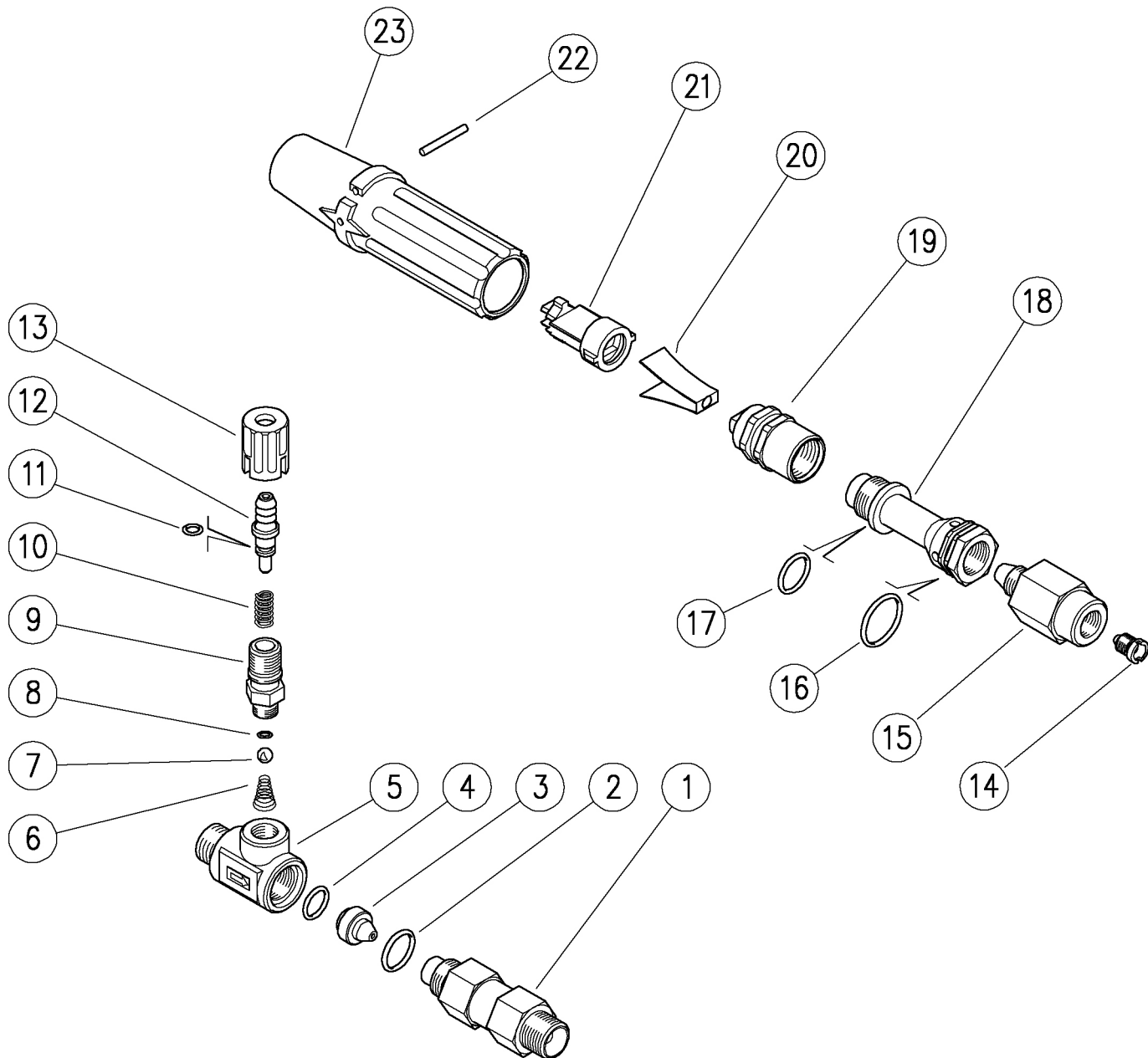
CODICE <i>CODE</i>	UGELLO – NOZZLE mm. [inch.]
25.1532.18	1.8 [0.07"]



CODICE <i>CODE</i>	UGELLO – NOZZLE mm. [inch.]
21.0600.12	1.2 [0.047"]

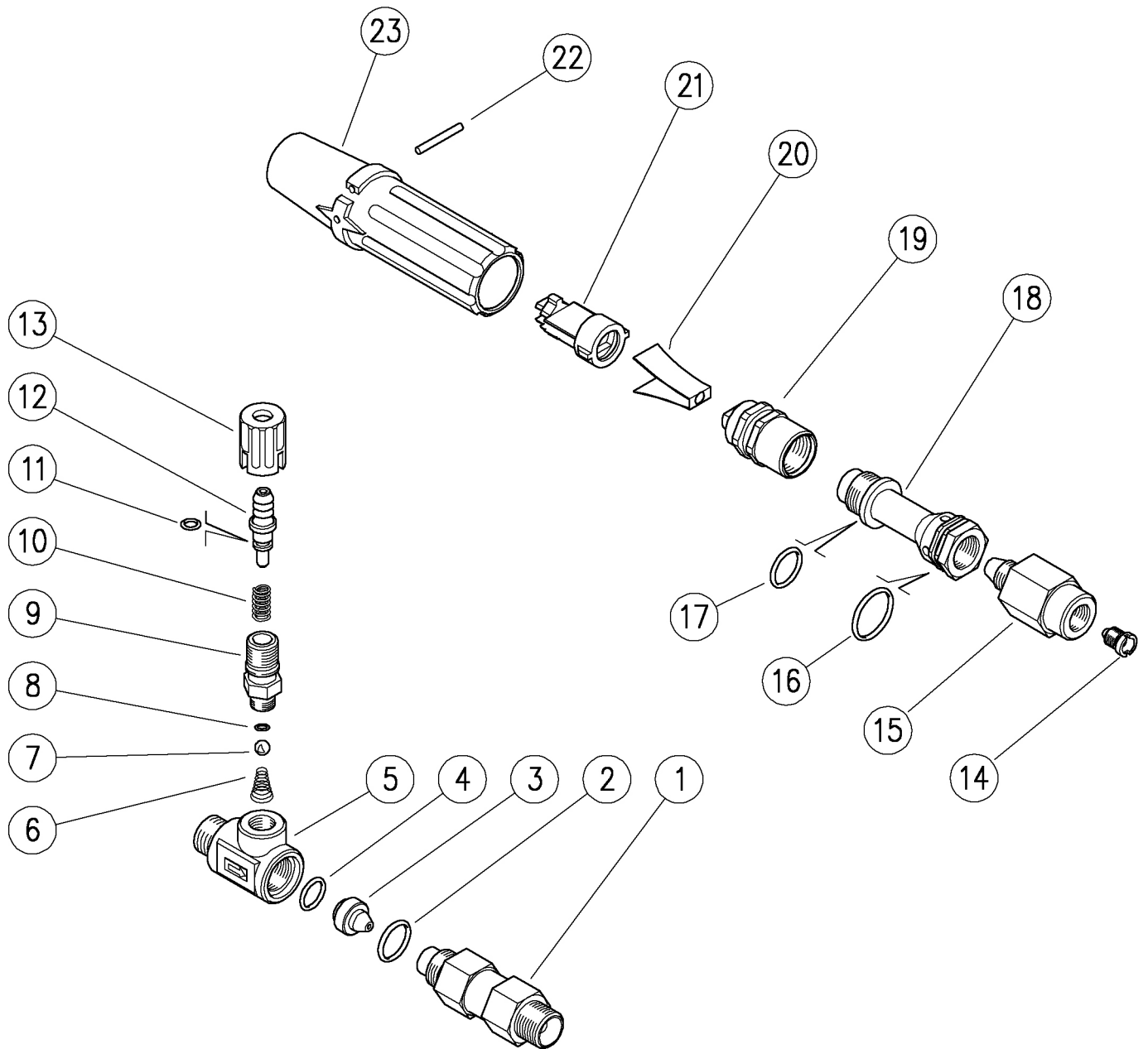


25.1530.18 LS3 lan.schiuma aspir.est. 1,8+eiett.1,2



Pos.	Codice	Descrizione	Q.tà	K1	K2	K3	K4	Pos.	Codice	Descrizione	Q.tà	K1	K2	K3	K4
1	21.0602.31	Raccordo conico G3/8 MM	1				3	13	21.0171.84	Manopola eiett. G1/4F nera	1				10
2	10.3179.10	An.OR 2,62x13,94 mm Vi 70	1				10	14	21.0212.51	Ugello M8x1 - 1,8 mm inox	1				10
3	21.0507.51	Ugello eiett. D.15 - 1,2 mm inox	1				5	15	25.1531.31	Corpo eiett.G1/4F xasp.ester.	1				3
4	10.3174.10	An.OR 2,62x9,93 mm Vi 70	1				10	16	10.3072.50	An.OR 1,78x21,95 mm	1				10
5	21.0601.35	Corpo eiett. G3/8 MF ott.	1				3	17	10.3066.00	An.OR 1,78x15,6 mm	1				10
6	21.0160.51	Molla conica inox eiett.	1				10	18	25.1521.31	Corpo anteriore eiettore	1				3
7	14.7420.01	Sfera 7/32" inox Aisi 316	1				10	19	25.1522.31	Corpo eiettore	1				3
8	10.3049.00	An.OR 1,78x5,28 mm Vi 70	1				10	20	25.1020.53	Deflettore inox	1				10
9	21.0173.31	Raccordo M12x1-G1/4M ott.	1				10	21	25.0952.84	Corpo deflettore	1				10
10	21.0158.51	Molla 0,8x7x15 mm inox	1				10	22	15.1041.00	Spina cil. 3x25 mm inox	1				10
11	10.3043.01	An.OR 1,78x4,48 mm Vi 70	1				10	23	25.1018.84	Manopola ugello nera	1				10
12	21.0155.99	Portagomma 8 mm ott.+or	1				3								

25.1530.18 LS3 foamer extern. intake 1,8+inject. 1,2



Pos.	P/N	Description	Q.ty	K1	K2	K3	K4		Pos.	P/N	Description	Q.ty	K1	K2	K3	K4	
1	21.0602.31	Tapered coupling, 3/8MM Bsp	1					3	13	21.0171.84	Inject.knob, 1/4F Bsp black	1					10
2	10.3179.10	O-ring, 2,62x13,94 mm Vi 70	1					10	14	21.0212.51	Nozzle, M8x1 - 1,8 mm Sst.	1					10
3	21.0507.51	Inject.nozzle, D.15 - 1,2 mm Sst.	1					5	15	25.1531.31	Injector body	1					3
4	10.3174.10	O-ring, 2,62x9,93 mm Vi 70	1					10	16	10.3072.50	O-ring, 1,78x21,95 mm	1					10
5	21.0601.35	Inject.housing, 3/8MF Bsp brass	1					3	17	10.3066.00	O-ring, 1,78x15,6 mm	1					10
6	21.0160.51	Tapered spring, Sst. -inject.	1					10	18	25.1521.31	Front injector housing	1					3
7	14.7420.01	Ball, 7/32" Sst. Aisi 316	1					10	19	25.1522.31	Injector housing	1					3
8	10.3049.00	O-ring, 1,78x5,28 mm Vi 70	1					10	20	25.1020.53	Sst deflector	1					10
9	21.0173.31	Coupling, M12x1-1/4M Bsp brass	1					10	21	25.0952.84	Deflector housing	1					10
10	21.0158.51	Spring, 0,8x7x15 mm Sst.	1					10	22	15.1041.00	Parallel pin, 3x25 mm Sst.	1					10
11	10.3043.01	O-ring, 1,78x4,48 mm Vi 70	1					10	23	25.1018.84	Nozzle knob, black	1					10
12	21.0155.99	Hose barb, d.8 mm brass+o-ring	1					3									



P.A. S.p.A.

Via Milano, 13  
42048 Rubiera, Reggio Emilia - Italy

Tel +39.0522.623611  
Fax +39.0522.629600

info@pa-etl.it

[www.pa-etl.it](http://www.pa-etl.it)



COMPANY WITH QUALITY MANAGEMENT  
SYSTEM CERTIFIED BY DNV  
= ISO 9001 =