

COMET**NEWS**

CXD SERIES



HIGH PRESSURE AXIAL PUMPS



**Robust, Simple and Reliable:
Three features, One pump**



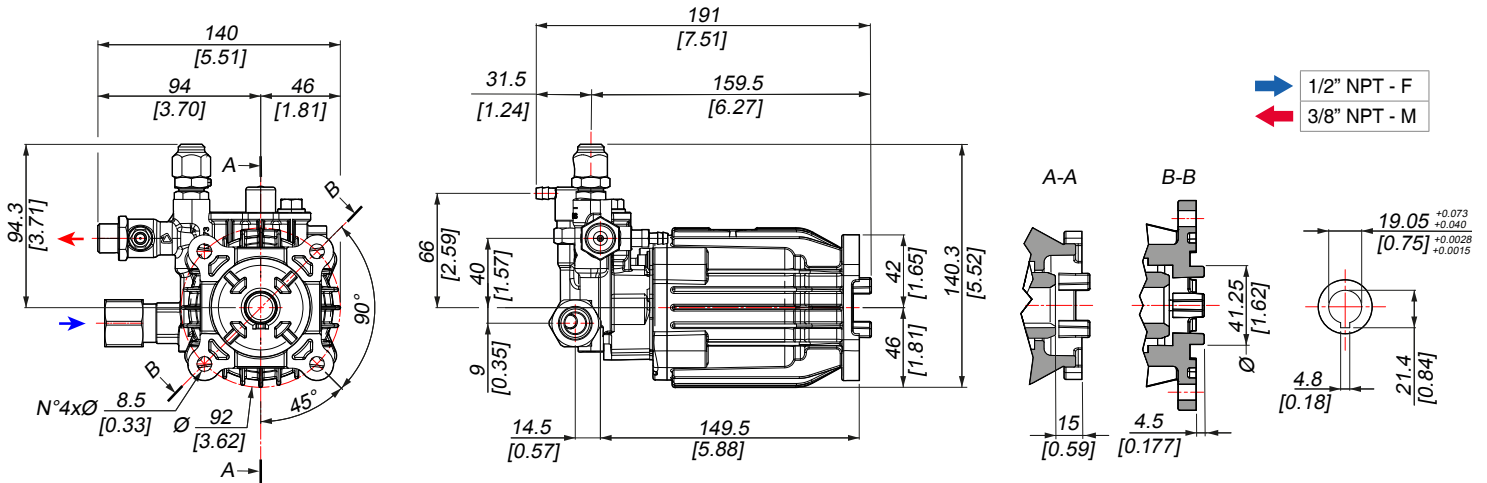
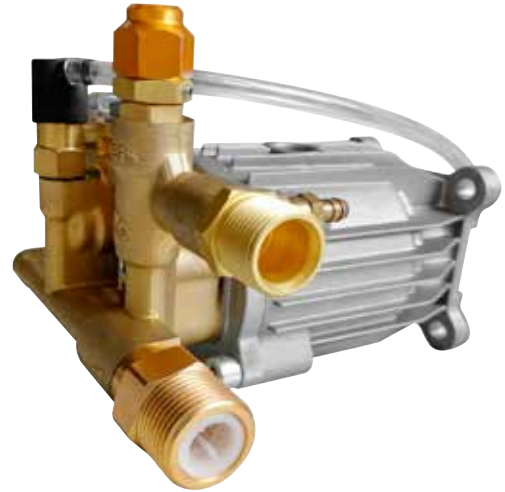
G | Ø 3/4"

TECHNICAL DATA



GENERAL FEATURES

- Brass Head (aluminium head at 2300psi)
- Built-in Uniflow Unloader and chemical injector
- High efficiency suction-delivery valves
- Stainless steel check valves (brass manifold models)
- Double-Sealing piston packing
- Stainless steel plungers
- Aluminium crankcase without need of oil replacement or vent cap
- Pivot for motor flange
- 3/4" HOLLOW SHAFT with flange for coupling to petrol engines



Model	Version	Head						
			rpm	l/min	US gpm	bar	psi	HP
CXD 2223	G	Aluminum	3400	8,3	2,2	159	2300	3,8
CXD 2227	G	Aluminum	3400	8,3	2,2	185	2700	4,4
CXD 2225	G	Brass	3400	8,3	2,2	172	2500	4,1
CXD 2526	G	Brass	3400	9,1	2,4	179	2600	4,7
CXD 2530	G	Brass	3400	9,1	2,4	207	3000	5,5

COMPANY WITH
QUALITY SYSTEM
CERTIFIED BY DNV G
= ISO 9001 =



Scan and get more info



ITALIAN EXCELLENCE