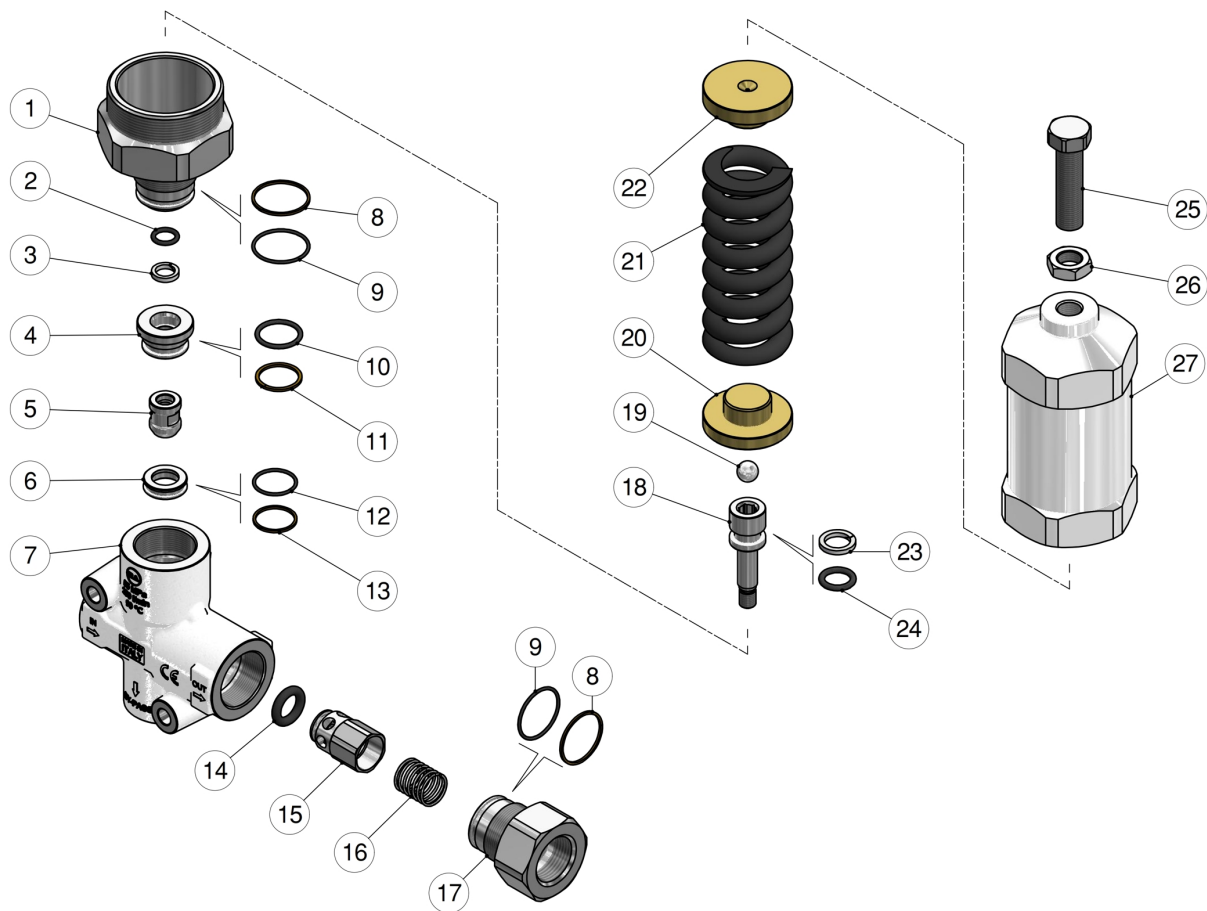


60.4500.00 VB250/500 unload. 1" F Bsp 50MPa- Ai303



		K1K2K3K4			
1	60.4506.51 Sst piston holder	1			2
2	10.3176.01 O-ring, 2,62x 11,81 mm Ni 85	1			5
3	10.4100.00 Back-up ring, 12x16,6x3 mm	1			5
4	60.4513.51 Sst reduction bushing,	1			2
5	60.4511.51 Shutter pin, Sst.	1			2
6	60.4510.51 Seat, 16,5x26,4x7,5 mm Sst.	1			2
7	60.4505.55 Sst.hous.-VB250/500-1" Bsp FF	1			1
8	10.4106.00 Back-up ring, 32,2 x 35 x1,5 mm	2			5
9	10.3078.08 O-ring, 1,78x31,45 mm Ni 85	2			10
10	10.3200.01 O-ring, 2,62 x 23,47 mm Ni 85	1			10
11	10.4105.00 Back-up ring, 24x28x1,5 mm	1			5
12	10.3073.08 O-ring, 1,78x23,52 mm Ni 85	1			10
13	10.4107.00 Back-up ring, 23,6 x 26,4 x1,5 mm	1			5
14	10.3316.00 O-ring, 5,34 x 15,24 mm Ni 90	1			10

		K1K2K3K4			
15	60.4509.51 Shutter pin, Sst	1			2
16	60.4508.51 Spring, 1,5x20x29 mm Sst.	1			2
17	60.4507.51 Shutter coupl., 1" Bsp F sst	1			2
18	60.4512.51 Piston, M10 Sst.	1			2
19	14.7465.00 Ball, 1/2" Sst.	1			5
20	60.4504.31 Spring guide spacer, brass	1			2
21	60.2901.61 Spring, 12x42x128 mm black	1			1
22	60.4502.31 Spring guide spacer, brass	1			2
23	10.4104.00 Back-up ring, 15,8x22x3 mm	1			5
24	10.3237.01 O-ring, 3,53x15,47 mm Ni85	1			10
25	60.4501.51 Valve regulating screw, M16x1,5 sst.	1			2
26	11.4845.00 Nut, M16x1,5 Sst.	1			5
27	60.4503.31 Spring holder M70x2 mm	1			2