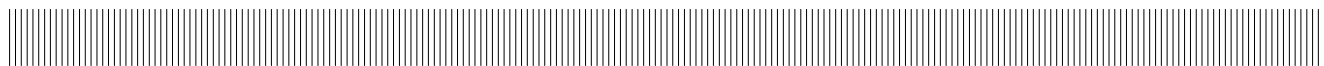


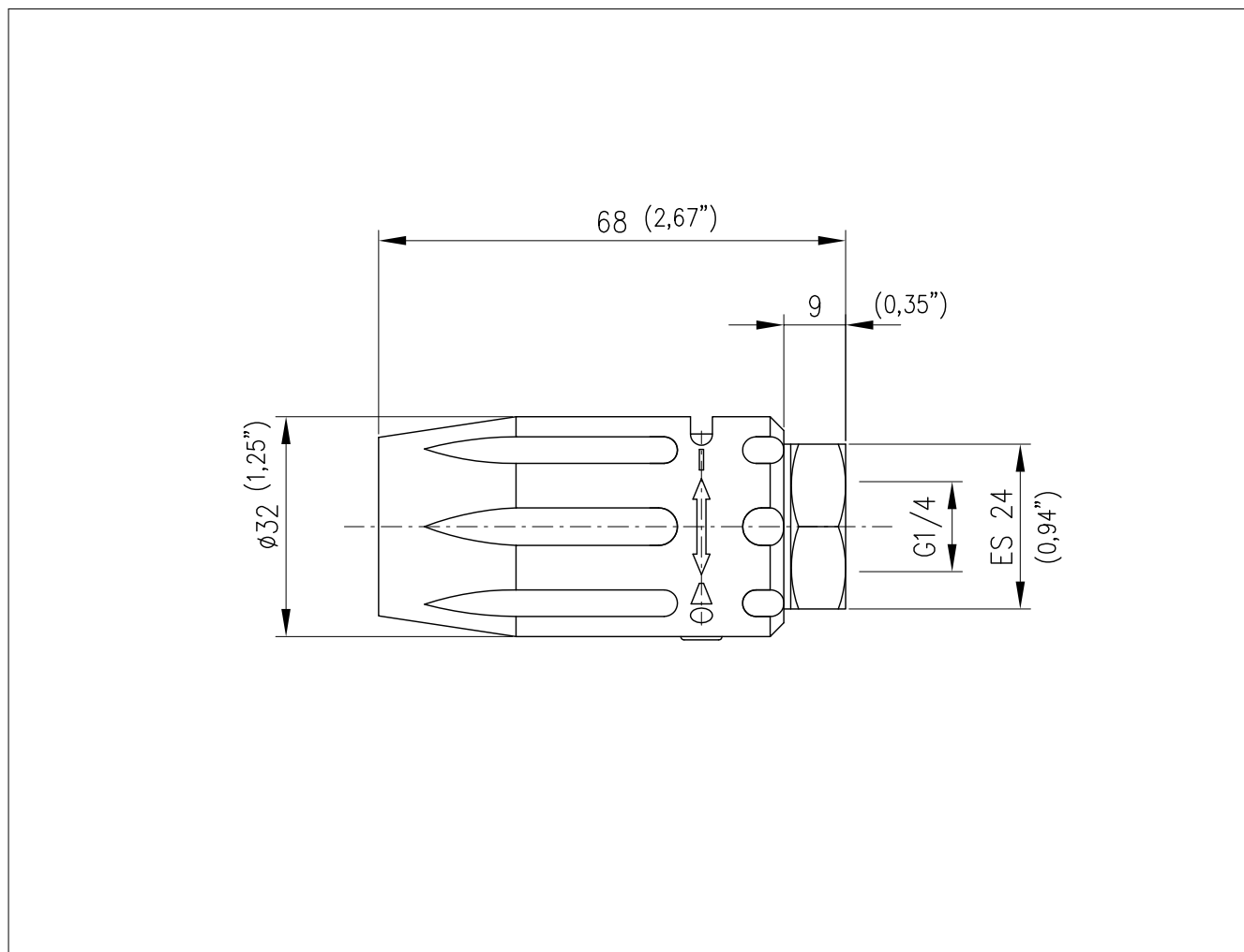
	EQUIPAGGIAMENTI TECNICI LAVAGGIO	25.0900.10 UGELLO VAN NOZZLE VAN	Ⓛ Ⓜ	4
				23/09/05



SPECIFICHE TECNICHE
SPECIFICATION

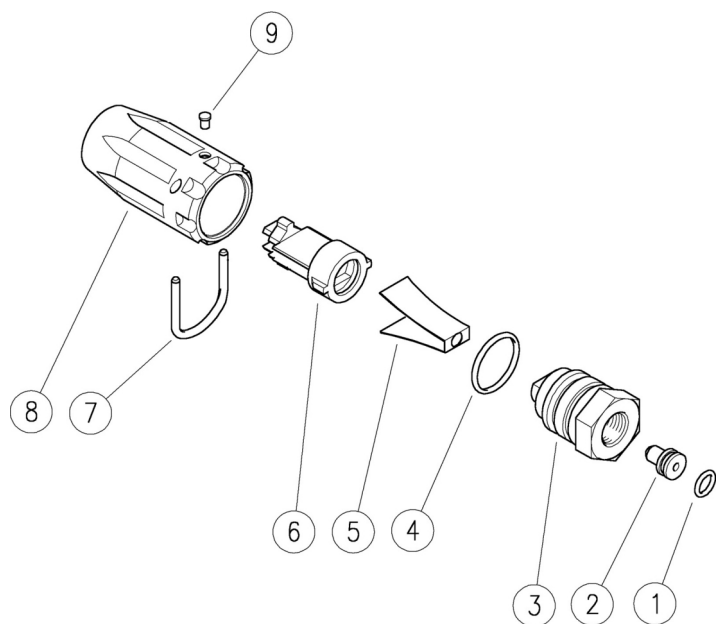
- PRESSIONE NOMINALE RATED PRESSURE	250 bar – 25 MPa (3650 psi)
- PRESSIONE CONSENTITA PERMISSIBLE PRESSURE	280 bar – 28 MPa (4050 psi)
- PORTATA MASSIMA MAX FLOW RATE	40 l/min (10.5 USG p.m.)
- TEMPERATURA MASSIMA MAX WORKING TEMPERATURE	90° C (195 °F)
- UGELLO (FATTORE DI PORTATA) NOZZLE (CAPACITY SIZE)	025 – 03 – 035 – 04 – 045 – 05 055 – 06 – 08 – 13 – 20

MISURE D'INGOMBRO
OVERALL DIMENSIONS



25.0900.10 Van-025 Ug.ang.var. G1/4F,rosa
 25.0900.11 Van-03 Ug.ang.var. G1/4F,bianco
 25.0900.12 Van-035 Ug.ang.var. G1/4F,marr.
 25.0900.13 Van-04 Ug.ang.var. G1/4F,giallo sc.
 25.0900.14 Van-045 Ug.ang.var. G1/4F,blu
 25.0900.15 Van-055 Ug.ang.var. G1/4F,rosso sc.

25.0900.16 Van-06 Ug.ang.var. G1/4F,ver.sc.
 25.0900.18 Van-08 Ug.ang.var. G1/4F,argento
 25.0900.23 Van-13 Ug.ang.var. G1/4F,bian/ver
 25.0900.28 Van-20 Ug.ang.var. G1/4F,bian/ros
 25.0900.50 Van-05 Ug.ang.var. G1/4F,viola ch.

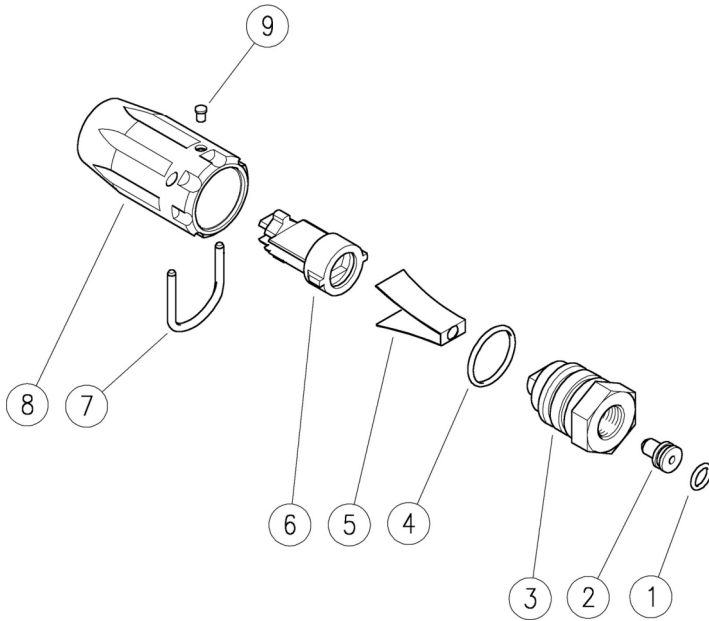


Pos.	Codice	Descrizione	Q.tà	K1	K2	K3	K4	
1	10.3052.00R	An.OR 1,78x6,75 mm	1					25
2	25.0910.23R	Ugello 025 inox + portaug. (1)	1					3
2	25.0911.23R	Ugello 03 inox + portaug. (2)	1					3
2	25.0912.23R	Ugello 035 inox + portaug. (3)	1					3
2	25.0913.23R	Ugello 04 inox + portaug. (4)	1					3
2	25.0914.23R	Ugello 045 inox + portaug. (5)	1					3
2	25.0917.23R	Ugello 05 inox + portaug. (6)	1					3
2	25.0915.23R	Ugello 055 inox + portaug. (7)	1					3
2	25.0916.51R	Ugello 06 inox + portaug. (8)	1					3
2	25.0918.51R	Ugello 08 inox (9)	1					3
2	25.0923.51R	Ugello 13 inox + portaug. (10)	1					3
2	25.0928.51R	Ugello 20 inox + portaug. (11)	1					3
3	25.0904.31R	Astuccio portaugello	1					3
4	10.3072.00R	An.OR 1,78x20,35 mm	1					10
5	25.1020.53R	Deflettore inox	1					10
6	25.0952.84R	Corpo deflettore	1					10
7	40.5001.51R	Cavallotto di fermo inox	1					10
8	25.0901.84R	Manopola ugello nera	1					3
9	15.2000.25R	Chiodo 025 rosa (1)	1					10

(1) 25.0900.10 (2) 25.0900.11 (3) 25.0900.12 (4) 25.0900.13 (5) 25.0900.14
 (6) 25.0900.50 (7) 25.0900.15 (8) 25.0900.16 (9) 25.0900.18 (10) 25.0900.23
 (11) 25.0900.28

- 25.0900.10 Van-025 var.angle nzl 1/4F Bsp, pink
- 25.0900.11 Van-03 var.angle nzl 1/4F Bsp,white
- 25.0900.12 Van-035 var.angle nzl 1/4F Bsp,brown
- 25.0900.13 Van-04 var.angle nzl 1/4F Bsp,d.yellow
- 25.0900.14 Van-045 var.angle nzl 1/4F Bsp,blue
- 25.0900.15 Van-055 var.angle nzl 1/4F Bsp,d.red

- 25.0900.16 Van-06 var.angle nzl 1/4F Bsp,d.green
- 25.0900.18 Van-08 var.angle nzl 1/4F Bsp,silver
- 25.0900.23 Van-13 var.angle nzl 1/4F Bsp,wht/grn
- 25.0900.28 Van-20 var.angle nzl 1/4F Bsp,wht/red
- 25.0900.50 Van-05 var.angle nzl 1/4F Bsp,l. purple



Pos.	P/N	Description	Q.ty	K1	K2	K3	K4	
1	10.3052.00R	O-ring, 1,78x6,75 mm	1					25
2	25.0910.23R	Nozzle, 025 Sst. + nozzle hold. (1)	1					3
2	25.0911.23R	Nozzle, 03 Sst. + nozzle hold. (2)	1					3
2	25.0912.23R	Nozzle, 035 Sst. + nozzle hold. (3)	1					3
2	25.0913.23R	Nozzle, 04 Sst. + nozzle hold. (4)	1					3
2	25.0914.23R	Nozzle, 045 Sst. + nozzle hold. (5)	1					3
2	25.0917.23R	Nozzle, 05 Sst. + nozzle hold. (6)	1					3
2	25.0915.23R	Nozzle, 055 Sst. + nozzle hold. (7)	1					3
2	25.0916.51R	Nozzle, 06 Sst. + nozzle hold. (8)	1					3
2	25.0918.51R	Nozzle, 08 Sst. (9)	1					3
2	25.0923.51R	Nozzle, 13 Sst. + nozzle hold. (10)	1					3
2	25.0928.51R	Nozzle, 20 Sst. + nozzle hold. (11)	1					3
3	25.0904.31R	Nozzle case	1					3
4	10.3072.00R	O-ring, 1,78x20,35 mm	1					10
5	25.1020.53R	Sst deflector	1					10
6	25.0952.84R	Deflector housing	1					10
7	40.5001.51R	Retainer, Sst.	1					10
8	25.0901.84R	Nozzle knob, black	1					3
9	15.2000.25R	Stud, 025 pink (1)	1					10

- (1) 25.0900.10 (2) 25.0900.11 (3) 25.0900.12 (4) 25.0900.13 (5) 25.0900.14
- (6) 25.0900.50 (7) 25.0900.15 (8) 25.0900.16 (9) 25.0900.18 (10) 25.0900.23
- (11) 25.0900.28