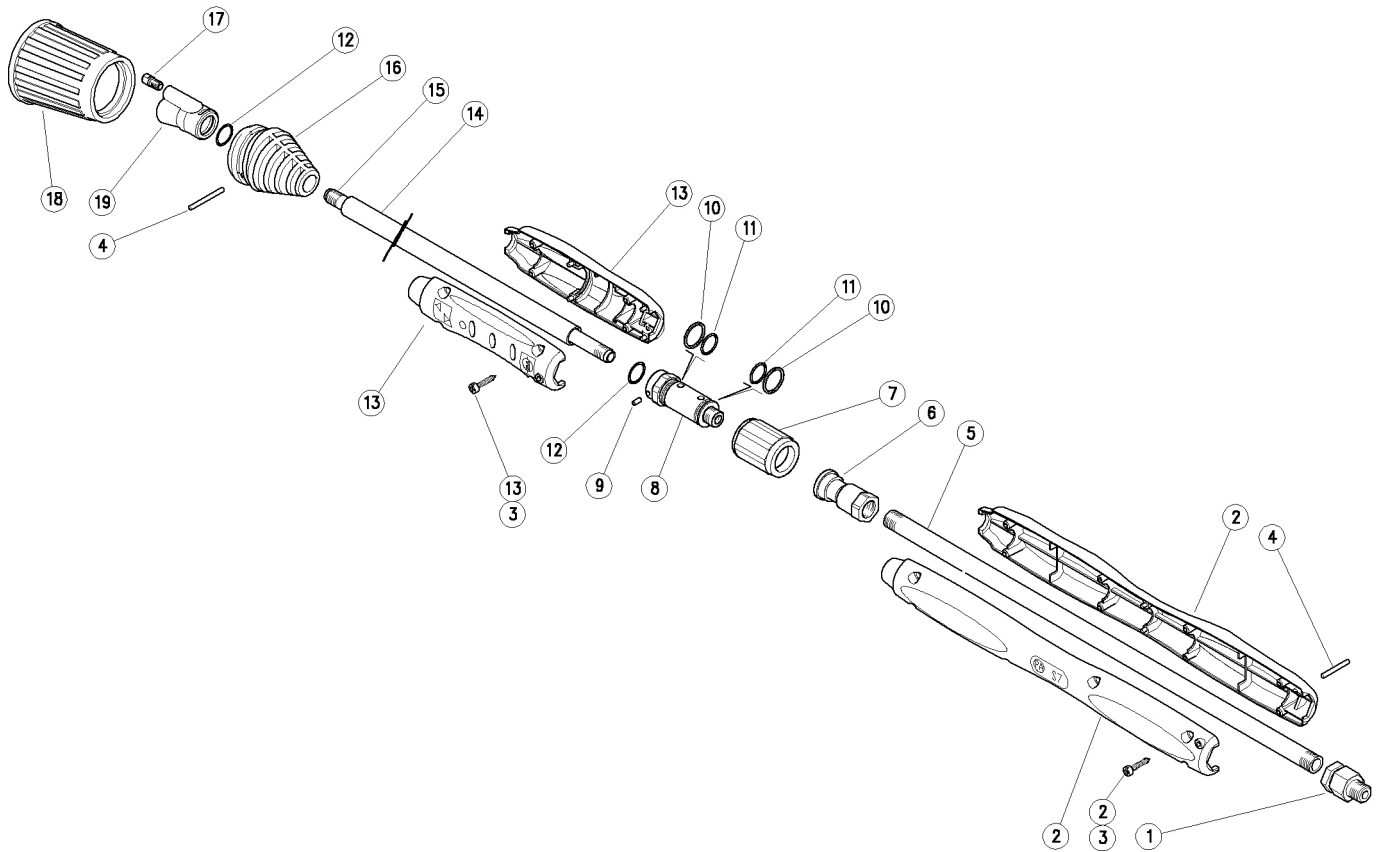


41.0295.00 LDM11 doubl.lan.900mm coax.,sst

41.0315.00 LDM11 doubl.lan.1100mm coax.,sst



	K1	K2	K3	K4	
1 40.5002.61R Reduct, z.pl. 1/4MF Bsp	1				10
1 40.5002.51R Reduct, sst 1/4MF Bsp (1)	1				10
2 40.4003.24 Casing-kit -S7 +screws	1				1
3 16.3077.00R S/tapping screw, DIN7981 3,5x18 mm	10				10
4 15.1046.00R Parallel pin, 3x30 mm Sst.	2				10
5 30.0814.66R Tube, 1/4F Bsp 330 mm z.pl.	1				10
5 40.0046.56R Sst. tube, 1/4F Bsp 340 mm (1)	1				10
6 41.0219.31R Inlet Coupling 1/4F Bsp brass	1				5
7 41.0218.31R External Body, Brass	1				5
8 41.0217.31R Outlet Coupling M12, Brass	1				5
9 41.0216.51R Parallel pin, 3x6 mm sst.	1				5
10 10.4040.00R Back-up ring, 16,7x19,5x1,2 mm	2				10

	K1	K2	K3	K4	
11 10.3066.10R O-ring, 1,78x15,6 mm Vi 70	2				10
12 10.3064.01R O-ring, 1,78x14 mm Ni 85	2				10
13 41.0221.24 Spares kit - LD11 - semi-shell + screws	1				3
14 41.0209.56R Tube, d.15x405 mm Sst. (2)	1				5
14 41.0222.56R Tube, d.15x605 mm Sst. (1)	1				5
15 41.0202.56R Tube, 1/8Bsp MM 440mm Sst. (2)	1				10
15 41.0211.56R Tube, 1/8Bsp MM 640mm Sst. (1)	1				10
16 41.0212.84R Nozzle holder case -LD11, PA black	1				5
17 41.0208.31R LP-nozzle 40.30, M6 M brass	1				10
18 41.0418.81R Nozzle protection -LD, TPEs black	1				10
19 41.0201.35R Nzl hold.housing -LD11,1/4F Npt-M6F brs.	1				3

(1) 41.0315.00 (2) 41.0295.00