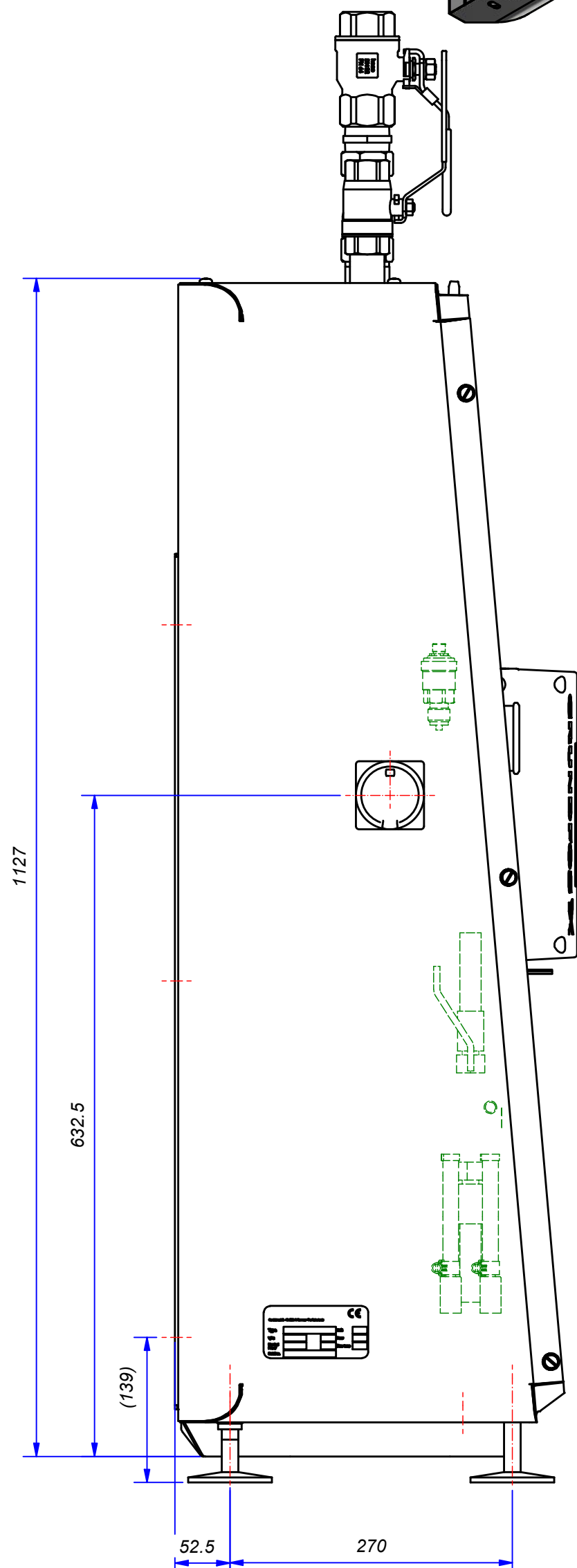
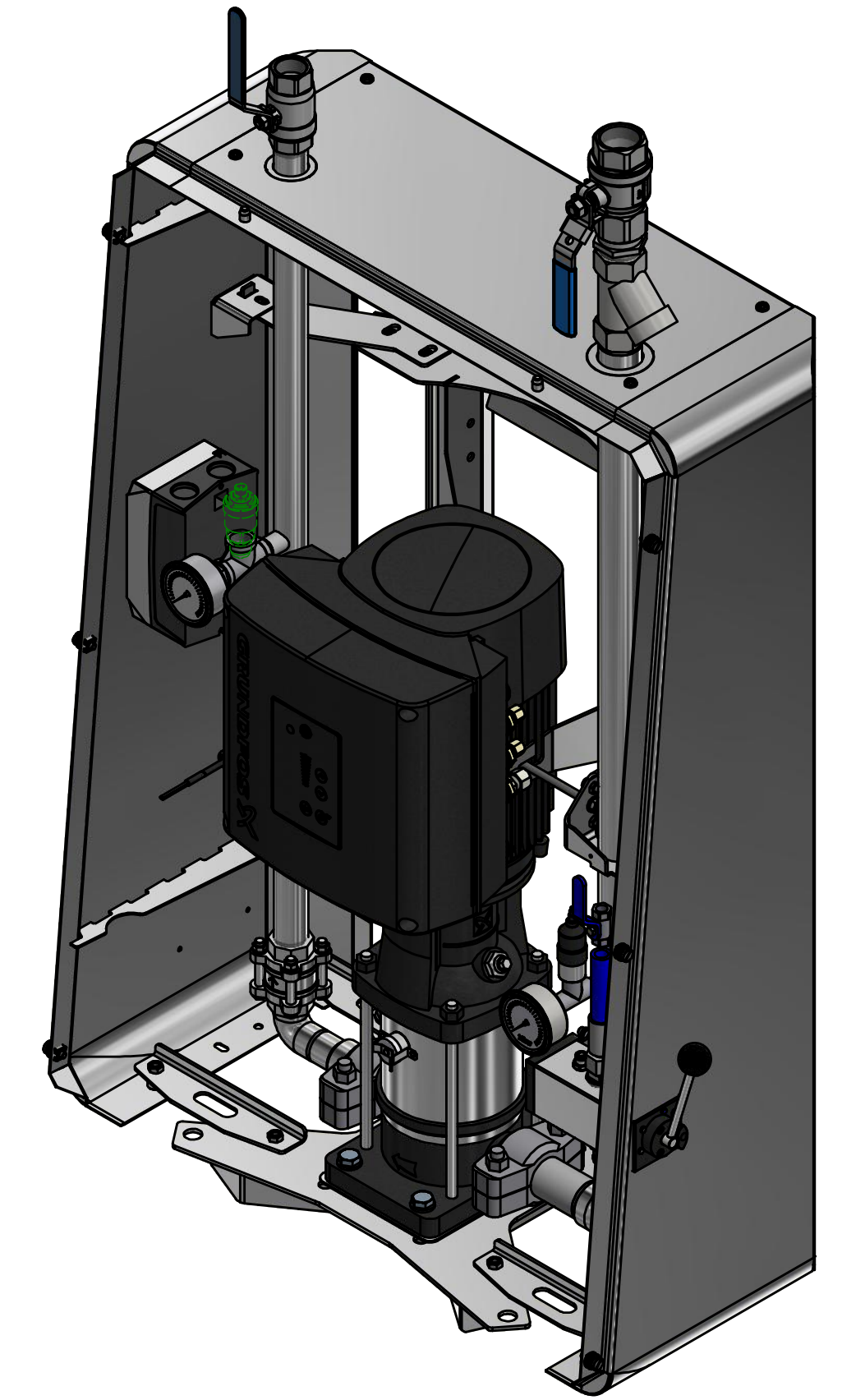
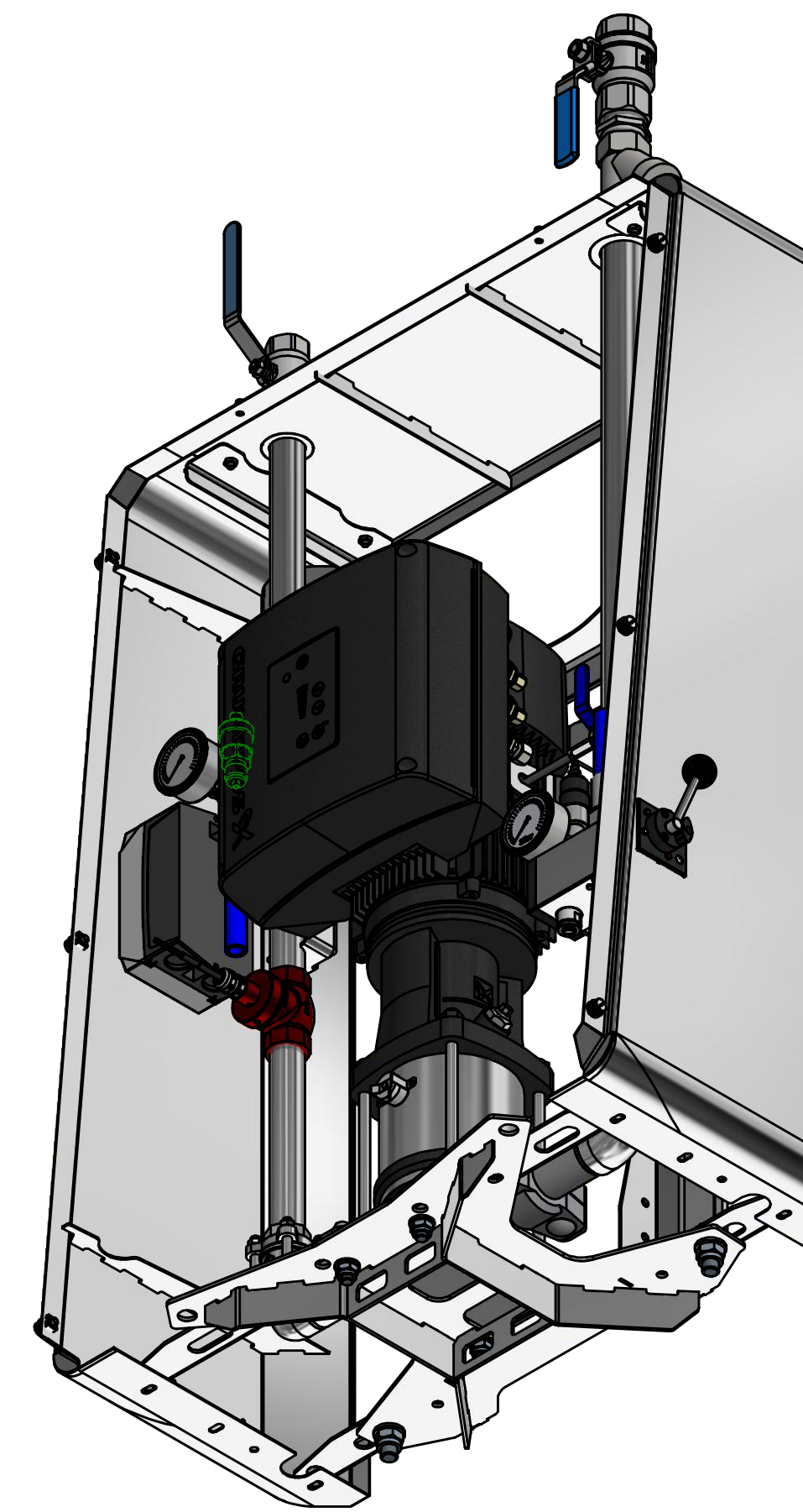
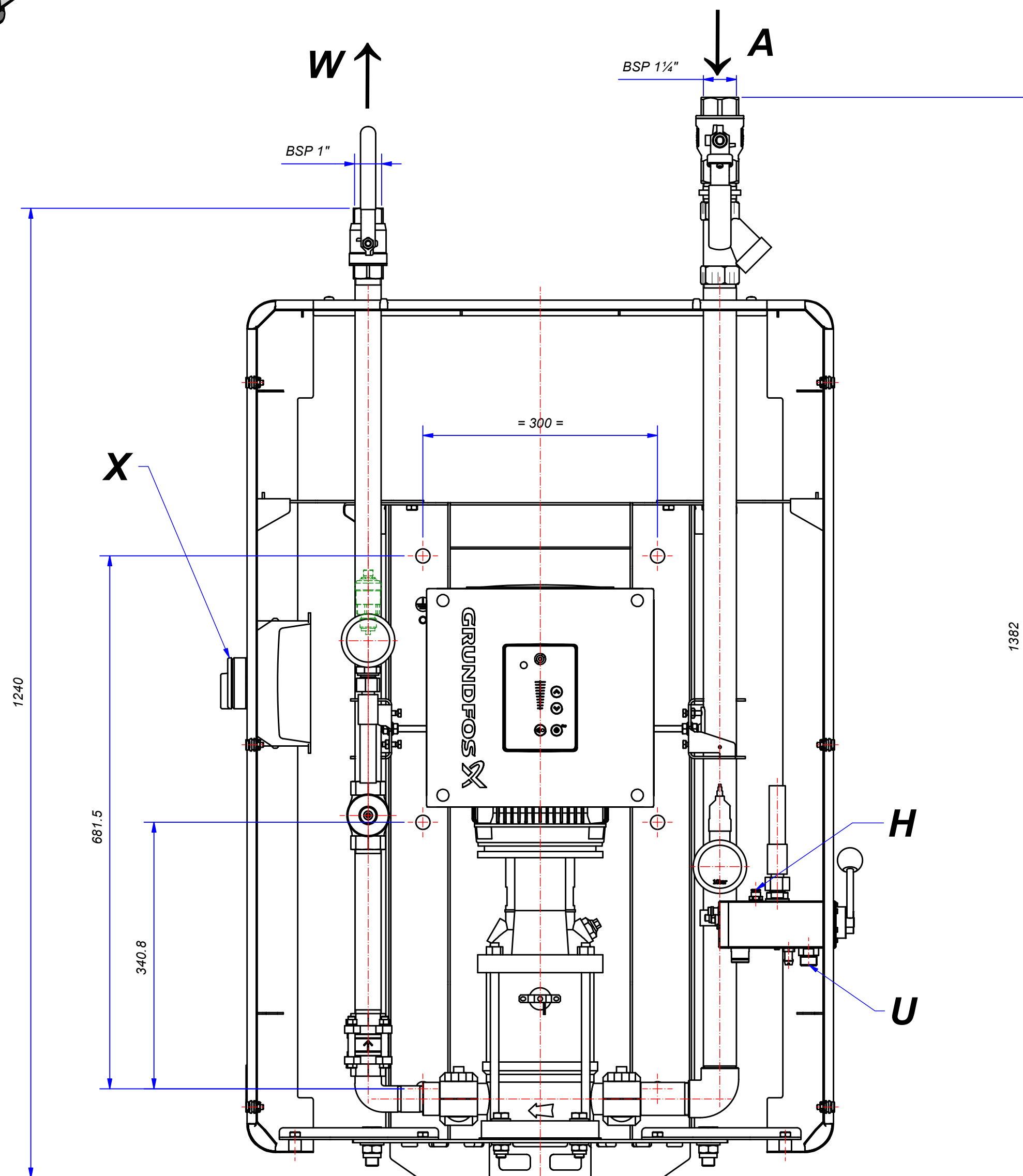


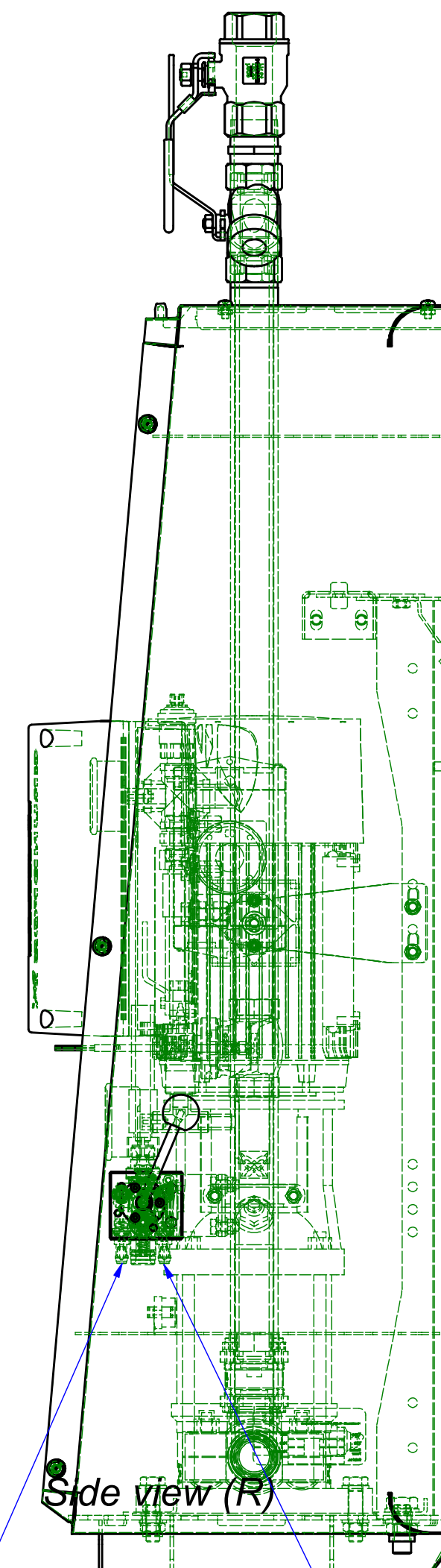
Top view



Side view (L)



Front view



Side view (R)

**Connection values**

- A - Water in 1 1/4" BSP Female, min. 2 - max. 10 bar, max. 70 °C, min. 72 ltr/min.
  - Quality: Drinking water according general recognized standards EC98/83  
Hardness < 12° DH (< 21,4 °FH)  
Conductivity > 250 en < 2000 µS/cm  
Iron < 200 PPB  
Silicates < 5 PPM  
Chloride < 50 PPM
  - H - Compressed air in Min. 200 NI/min. Min. 6 bar - max. 10 bar  
Hose connection 6x4 mm, dry & oilfree air
  - J - Disinfection in Hose red 9x15 with foot filter
  - L - Foam in Hose white 9x15 with foot filter
  - U - Satellite out 1/2" BSP male HP (Rinse or foam or disinfect)
  - W - Water out 1" BSP Female, max. 20 bar\*, max. 65 ltr/min., advised Vmax = 2 m/s.
  - X - Electrical supply 380/480 V, 50/60 Hz. (3 ph + E)  
Total power consumption 3 kW  
Fuse protection 3 x 16 A (with characteristic)  
Simultaneous value 100 %  
Connection Cable
- \* Pressure out: depending on pressure in.

Title Lay-out MSLDC-Q 65/20 3 kW. H+ RFD				
Article number 83301008-A-RFD	Drawing number 1701004958	Revision A	Material AISI 304 (1.4301)	CE
Handelstraat 21 5831 AV Boxmeer tel.: +31 (0)485 516969 fax.: +31 (0)485 514022 www.elpress.com		Projection Date 2-11-2017	Engineer PRo	
THIS DRAWING IS PROPERTY OF ELPRESS BV. IT IS A CONFIDENTIAL DOCUMENT AND MAY NOT COPIED, USED OR PUBLISHED WITHOUT WRITTEN PERMISSION				