



COD. 52.0000.00 – 52.0000.02

POMPA DOSATRICE A PISTONE

PLUNGER METERING PUMP

(I)

(GB)

8

21/01/04

■ POMPA DOSATRICE VOLUMETRICA ALTERNATIVA PER FERTILIZZANTI E PRODOTTI CHIMICI

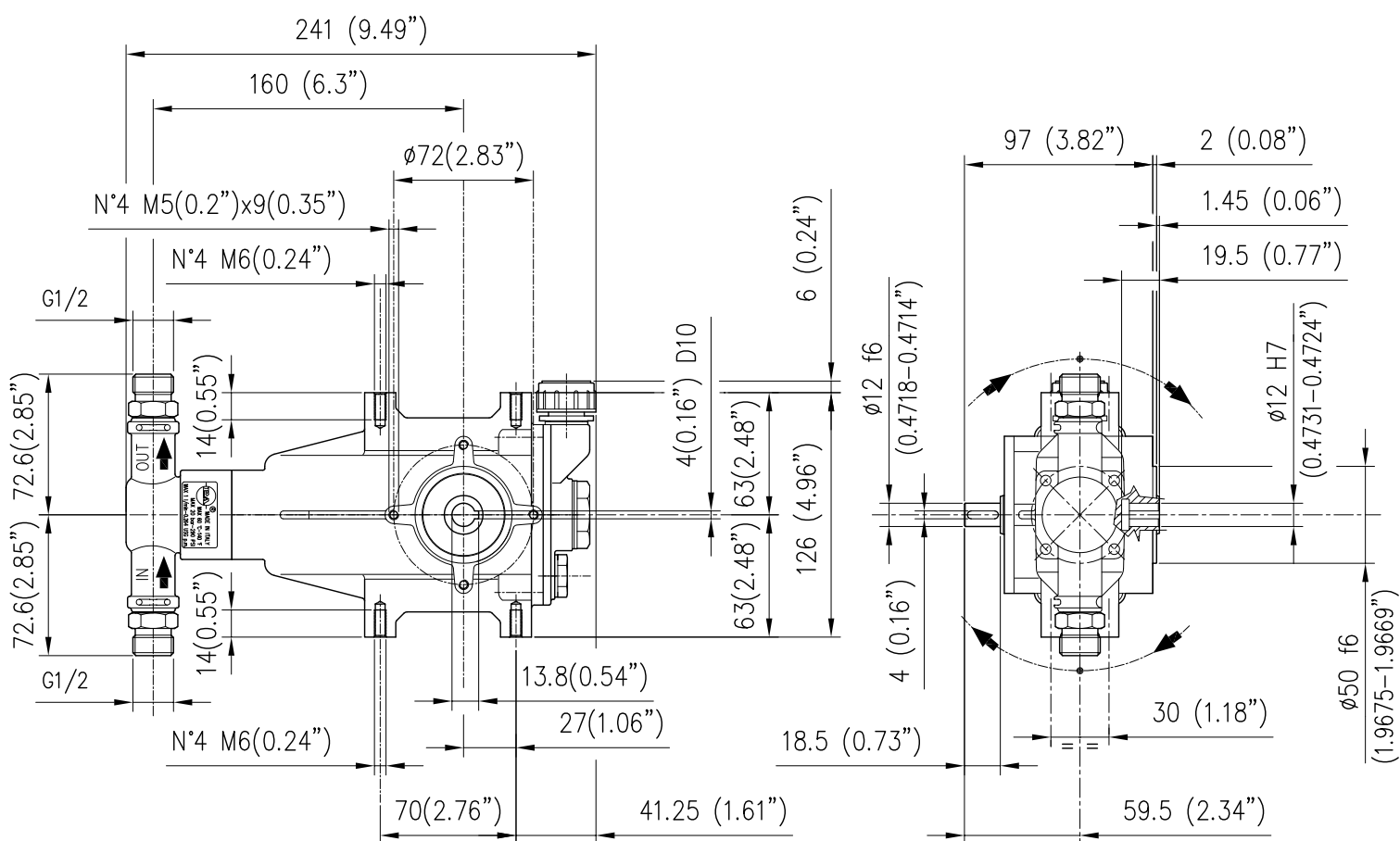
■ RECIPROCATING DISPLACEMENT PUMP FOR FERTILIZERS AND CHEMICALS

- TESTATA IN PLASTICA
- GUARNIZIONI IN TEFLON
- PISTONE IN INOX CERAMIZZATO
- RACCORDI TESTATA IN INOX
- PLASTIC PUMP HEAD
- TEFLON GASKETS
- SST CERAMIC PISTON
- PUMP HEAD FITTINGS IN SST

CARATTERISTICHE TECNICHE
TECHNICAL SPECIFICATIONS

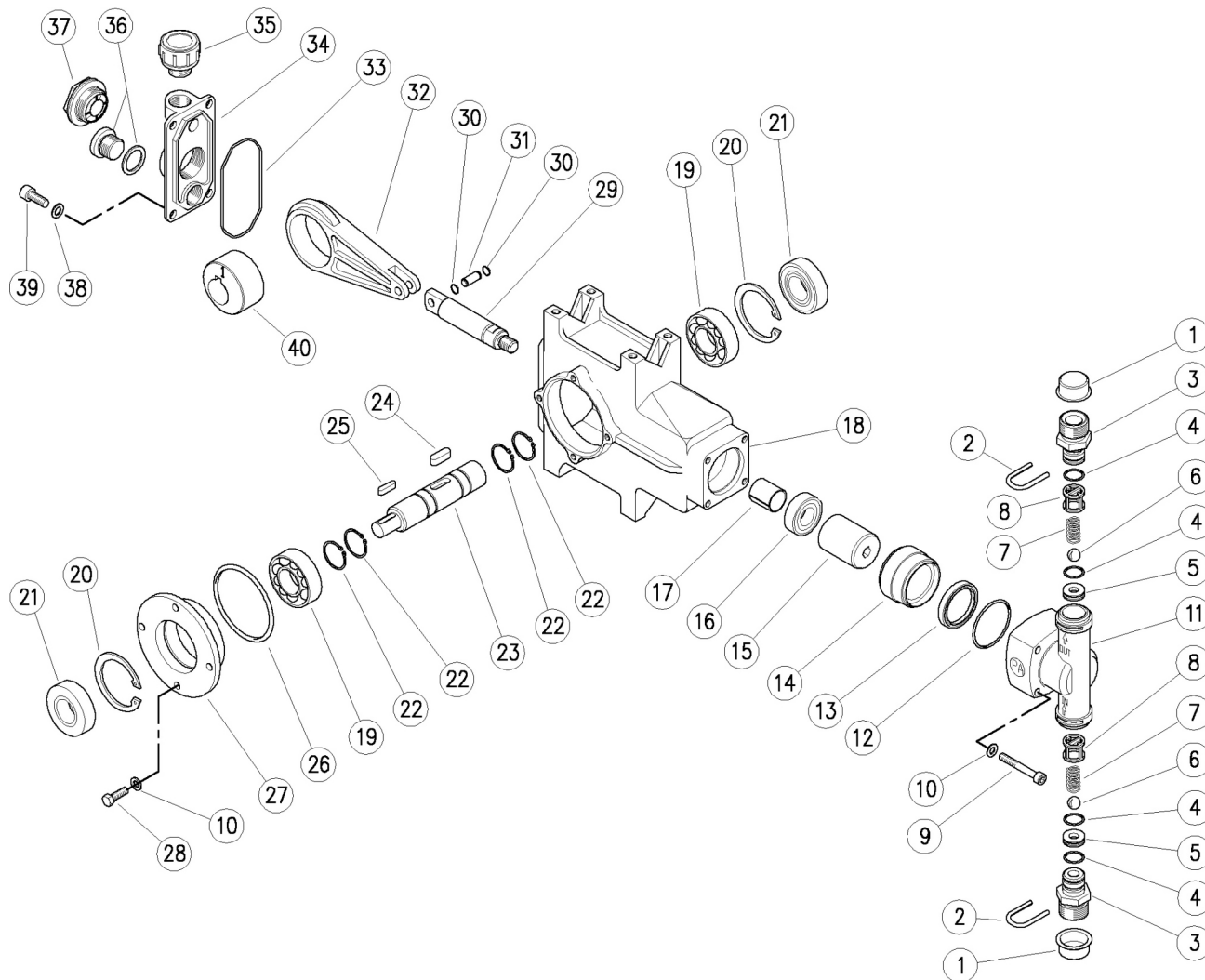
- Giri max / min	- (S.P.M.)	- 0÷120	(0÷120)
- CILINDRATA cm ³ /giro	- (DISPLACEMENT CC/REV)	- 8.7	(8.7)
- PRESSIONE MASSIMA	- (MAX. PRESSURE)	- 20 bar – 2 MPa	(290 PSI)
- TEMPERATURA MASSIMA	- (MAX. TEMPERATURE)	- 60 °C	(140 °F)
- MASSA	- (WEIGHT)	- 2.3 Kg	(81 oz)

- PORTATA (l/min) = (CILINDRATA x GIRI /min)/1000 - FLOW(cc/min) = (DISPLACEMENT x S.P.M.)



52.0000.00 Pompa a pistone 1,0 l/min -20bar Fase 1
52.0000.02 Pompa a pistone 1,0 l/min -20bar Fase 2

52.0000.20 Pompa a pistone 1,0 l/min Vit/Npt



Pos.	Codice	Descrizione	Q.tà	K1	K2	K3	K4
1	15.3700.00R	Tappo 20,5 mm pvc	2				10
2	29.0087.51R	Cavallotto inox	2				10
3	52.0016.51R	Racc. valvole G1/2M inox	2				1
3	52.0017.51R	Raccordo valvole 1/2Npt M (1)	2				2
4	10.3060.18R	An.OR 1,78x12,42 mm EPDM	4	•			5
4	10.3060.10R	An.OR 1,78x12,42 mm Vi 70	4		•		10
5	52.0012.51R	Sede 7x15,9x4,5 mm inox	2	•			1
6	14.7443.25R	Sfera 11/32" inox Aisi 316	2	•			5
7	52.0010.51R	Molla 0,3x7,7x9,0 mm inox	2	•			1
8	25.1337.84R	Gabbietta sfera	2	•			1
9	16.1869.35R	Vite DIN912 M5x35 mm zinc.	4				5
10	14.3560.61R	Rosetta 5,3x10x1mm	8				10
11	52.0015.84R	Testata pompa PA nero	1				1
12	10.3079.10R	An.OR 1,78x34,65 mm EPDM	1	•			10
12	10.3079.20R	An. or 1,78 x 34,65 mm Vit.	1		•		10
13	10.2028.00R	Guarn. U stelo 28x34,2x4,2 mm	1	•	•		4
14	52.0011.81R	Boccola 28mm POM	1				1
15	52.0008.51R	Pistone 28 mm	1				1
16	10.2016.30R	Anello tenuta 16x30x7 mm	1	•	•		3
17	10.4216.18R	Boccola DU 16x18x20 mm	1				5
18	52.0014.44R	Corpo all. pompa	1				1
19	11.4320.42R	Cuscinetto 20x42x12 mm	2				2

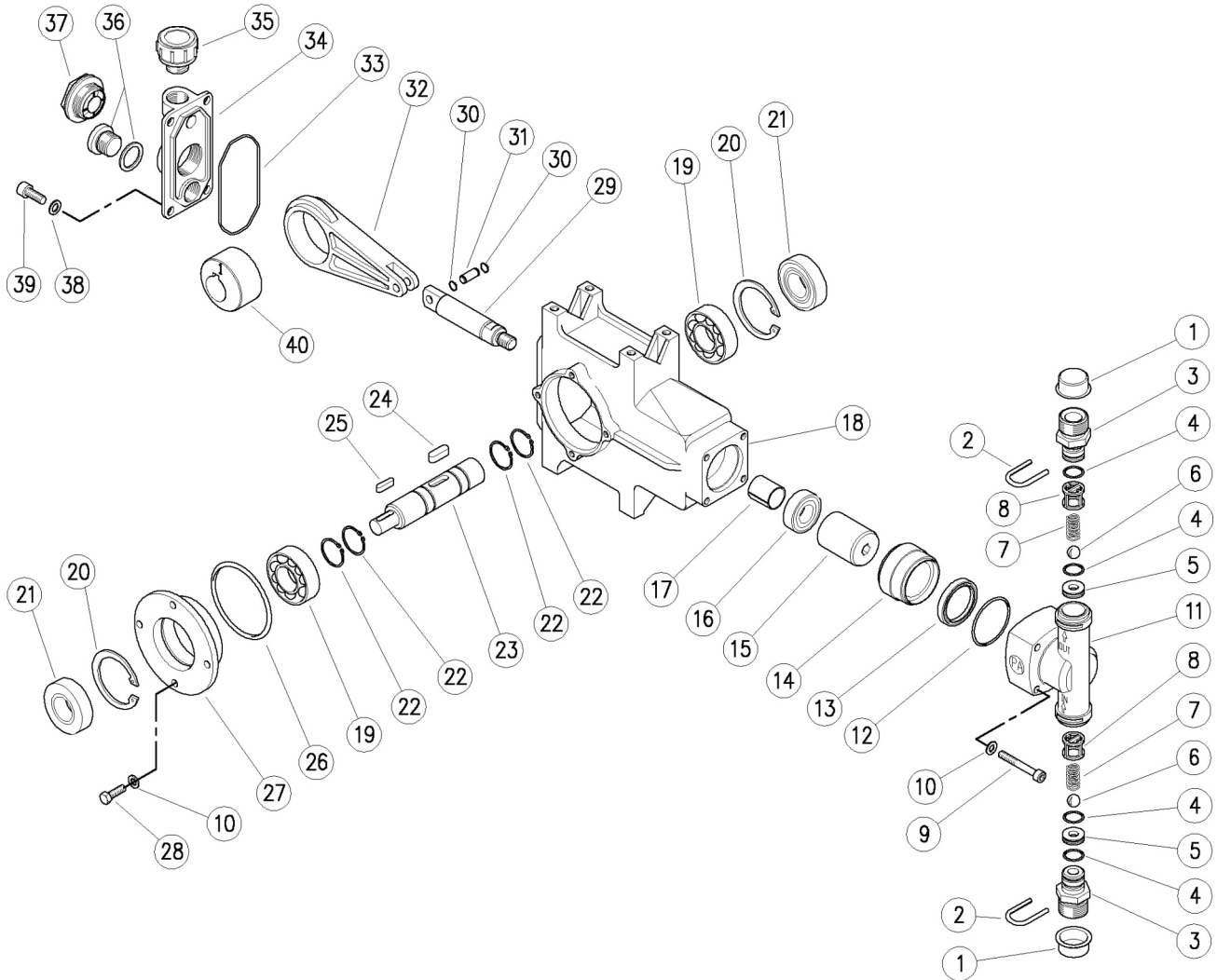
Pos.	Codice	Descrizione	Q.tà	K1	K2	K3	K4
20	10.1042.00R	An. elast. l 42	2				5
21	10.2020.42R	Anello tenuta 20x42x7 mm	2	•		•	3
22	10.1020.00R	An. elast. E 20	4				5
23	52.0005.61R	Albero pompa	1				1
24	12.3006.18R	Linguetta 6x6 mm	1				5
25	12.3004.16R	Linguetta 4x4 mm	1				5
26	10.3080.00R	An.OR 1,78x56,87 mm	1	•	•		5
27	52.0002.41R	Flangia all. carter	1				1
28	16.1871.14R	Vite DIN933 M5x14 mm zinc.	4				10
29	52.0007.61R	Albero stantuffo	1				1
30	10.0956.00R	An. elast. E 6	2				5
31	52.0006.61R	Spinotto 6x20mm	1				1
32	52.0003.34R	Biella all. pompa	1				1
33	10.3081.63R	An.OR 1,78x63,22 mm	1	•	•		10
34	52.0001.44R	Coperchio all. per carter	1				1
35	15.3726.00R	Tappo olio G3/8"+guarn.	1				5
36	15.3738.10R	Tappo olio G3/8" +guarn.	1				5
37	15.3734.00R	Tappo olio trasp. G3/4" +guarn.	1				5
38	14.3568.00R	Rosetta 6,4x11x1mm	4				10
39	16.1888.00R	Vite DIN912 M6X16 mm zinc.	4				10
40	52.0004.61R	An. eccentrico	1				1
40	52.0004.61R	An. eccentrico (2)	1				1

Kit	Codice	Descrizione	Q.tà
K1	52.0018.24	Kit guarn. pompa 28mm 7x1pz.	1
K2	52.0021.24	Kit ric. Valv. aspiraz./mandata 4x1pz.	1
K3	52.0020.24	Kit ricam.guarn.pomp.28mm pz.7x1 Viton	1

(1) 52.0000.20 (2) 52.0000.02

52.0000.00 Plunger pump 1,0 l/min -20 bar Phase 1
52.0000.02 Plunger pump 1,0 l/min -20 bar Phase 2

52.0000.20 Plunger pump 1,0 l/min Vit/Npt



Pos.	P/N	Description	Q.ty	K1	K2	K3	K4	
1	15.3700.00R	Plug, 20,5 mm pvc	2					10
2	29.0087.51R	U-bolt, Sst.	2					10
3	52.0016.51R	Valve coupl., 1/2M Bsp Sst.	2					1
3	52.0017.51R	Sst 1/2 Npt M connection (1)	2					2
4	10.3060.18R	O-ring, 1,78x12,42 mm EPDM	4	•				5
4	10.3060.10R	O-ring, 1,78x12,42 mm Vi 70	4		•			10
5	52.0012.51R	Seat, 7x15,9x4,5 mm Sst.	2		•			1
6	14.7443.25R	Ball, 11/32" Sst. Aisi 316	2		•			5
7	52.0010.51R	Spring, 0,3x7,7x9,0 mm Sst.	2		•			1
8	25.1337.84R	Ball cage	2		•			1
9	16.1869.35R	Screw, DIN912 M5x35 mm z.pl.	4					5
10	14.3560.61R	Washer, 5,3x10x1 mm	8					10
11	52.0015.84R	Pump head, PA black	1					1
12	10.3079.10R	O-ring, 1,78x34,65 mm EPDM	1	•				10
12	10.3079.20R	O-ring 1,78 x 34,65 mm Vit.	1		•			10
13	10.2028.00R	Stem seal, 28x34,2x4,2 mm	1	•	•			4
14	52.0011.81R	Bushing, 28mm POM	1					1
15	52.0008.51R	Plunger, 28 mm	1					1
16	10.2016.30R	Seal ring, 16x30x7 mm	1	•	•			3
17	10.4216.18R	Bushing, DU 16x18x20 mm	1					5
18	52.0014.44R	Pump housing, alum.	1					1
19	11.4320.42R	Ball-bearing, 20x42x12 mm	2					2

Pos.	P/N	Description	Q.ty	K1	K2	K3	K4	
20	10.1042.00R	Snap ring, I 42	2					5
21	10.2020.42R	Seal ring, 20x42x7 mm	2	•		•		3
22	10.1020.00R	Snap ring, E 20	4					5
23	52.0005.61R	Pump shaft	1					1
24	12.3006.18R	Feather, 6x6 mm	1					5
25	12.3004.16R	Feather, 4x4 mm	1					5
26	10.3080.00R	O-ring, 1,78x56,87 mm	1	•		•		5
27	52.0002.41R	Case flange, alum.	1					1
28	16.1871.14R	Screw, DIN933 M5x14 mm z.pl.	4					10
29	52.0007.61R	Plunger shaft	1					1
30	10.0956.00R	Snap ring, E 6	2					5
31	52.0006.61R	Plug, 6x20mm	1					1
32	52.0003.34R	Pump connecting rod, alum.	1					1
33	10.3081.63R	O-ring, 1,78x63,22 mm	1	•		•		10
34	52.0001.44R	Coperchio alum. per carter	1					1
35	15.3726.00R	Oil plug 3/8" Bsp+seal	1					5
36	15.3738.10R	Oil plug 3/8" Bsp+seal	1					5
37	15.3734.00R	See-through oil plug 3/4" Bsp+seal	1					5
38	14.3568.00R	Washer, 6,4x11x1 mm	4					10
39	16.1888.00R	Screw, DIN912 M6X16 mm z.pl.	4					10
40	52.0004.61R	Cam ring	1					1
40	52.0004.61R	Cam ring (2)	1					1

Kit	P/N	Description	
K1	52.0018.24	Pump Seals-Kit, 28mm 7x1pcs.	1
K2	52.0021.24	Spares-kit, suct.+deliv. valves,4x1pcs.	1
K3	52.0020.24	D.28 mm pump-seals kit Vit. pcs.7x1	1

(1) 52.0000.20 (2) 52.0000.02