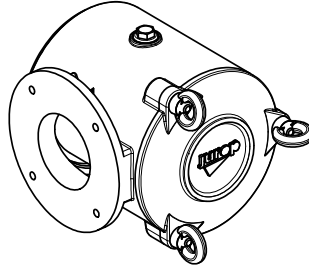
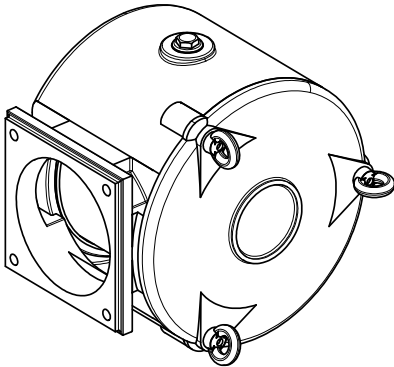


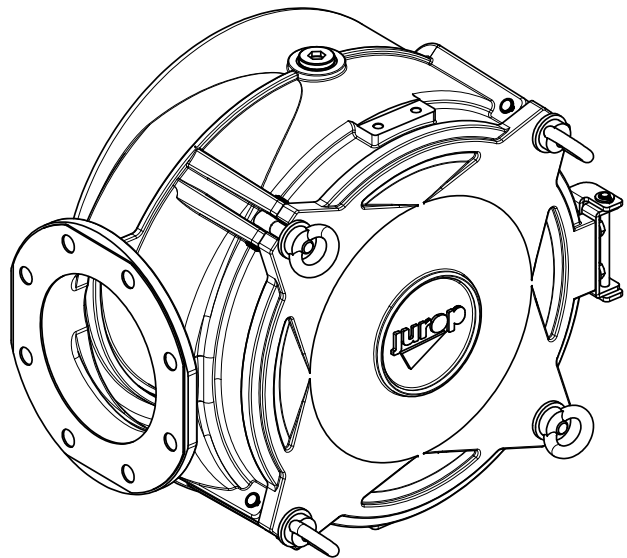
## ORIGINAL INSTRUCTIONS



SMALL FILTER



MEDIUM FILTER



LARGE FILTER

## TECHNICAL DATA SHEET

COD. 14450 029 00

COD. 14450 032 00

COD. 14450 068 00

COMPANY WITH  
QUALITY SYSTEM  
CERTIFIED BY DNV GL  
= ISO 9001 =

## 1. General warnings

This technical data sheet contains technical information concerning air-water filters and the main installation and maintenance instructions.

Complying with the instructions contained in this technical data sheet is crucial for the recognition of warranty against defective parts. Upon receiving the goods, ensure that they are intact and have not been accidentally damaged during transport. In the event parts of the accessory must be replaced, **use only genuine spare parts**.

## 2. Technical data

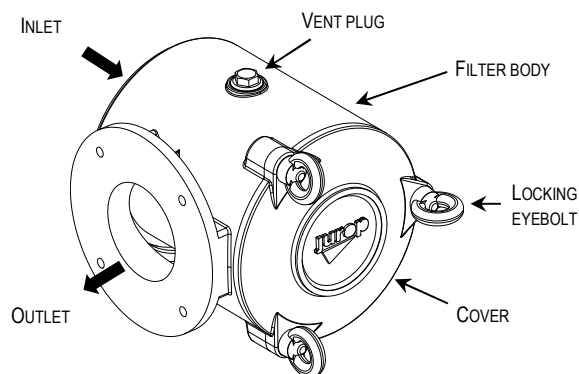
The air-water filters are designed to be installed in correspondence of the intake line (in the immediate vicinity of the suction device) of air decompressors or water pumps. The filter prevents foreign bodies (over a certain size) from entering the pumping system. The following figure shows a schematic diagram of an air-water filter, highlighting its preferential flow (operation in vacuum mode).

The air-water filters are available in three versions:

- **Small aluminium alloy air-water filter**, code 14450 029 00;
- **Medium aluminium alloy air-water filter**, code 14450 032 00;
- **Large aluminium alloy air filter**, code 14450 068 00.

The filter body and cover are made of aluminium alloy (AlSi9Cu1Mg EN AC 46400) through mould casting. The filter cartridge is made of stainless steel 304 (small end medium) and stainless steel 316 (large).

The following table shows the main operating parameters concerning maximum operating pressures (relative), calculation pressure (relative), air and water flow rate, degree of filtration and weight.

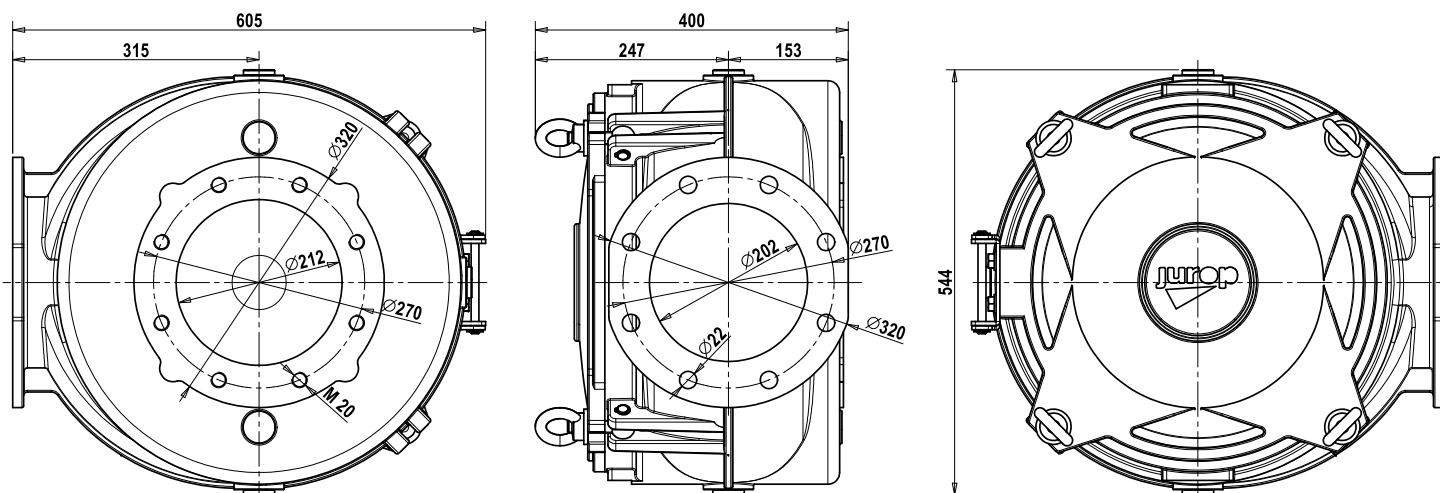


### Operating parameters

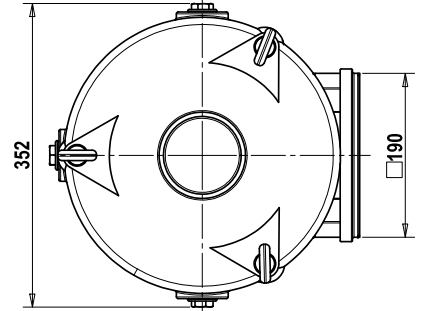
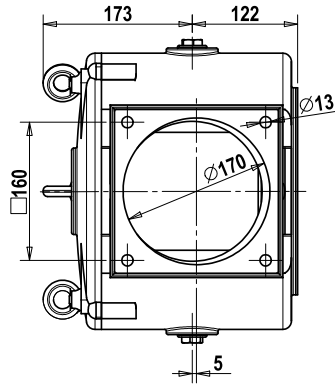
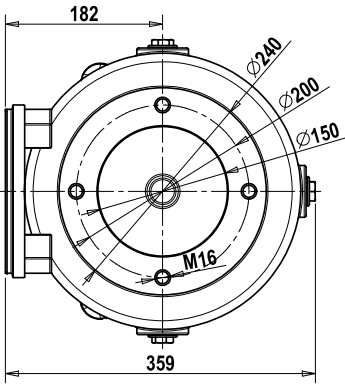
Parameter	Small filter (code 14450 029 00)	Medium filter (cod.14450 032 00)	Large filter (cod.14450 068 00)
MAXIMUM OPERATING PRESSURE	-1 / +0,5 bar	-1 / +0,5 bar	-1 / +0,5 bar
CALCULATION PRESSURE	-1 / +4 bar	-1 / +4 bar	-1 / +4 bar
MAXIMUM AIR FLOW	1300 m <sup>3</sup> /h	3600 m <sup>3</sup> /h	6800 m <sup>3</sup> /h
SUITABLE FOR PUMPS WITH NOMINAL FLOW UP TO	150 l/min (H <sub>2</sub> O)	350 l/min (H <sub>2</sub> O)	/
DEGREE OF FILTRATION	MESH 55, mesh hole ø 0.3mm (at 300 µm)		
WEIGHT	6.3 Kg	14.1 Kg	28 Kg

**Note:** any presence of oil suspended in the air that flows through the filter reduces the maximum air flow rate.

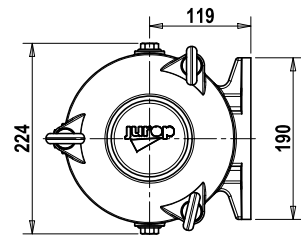
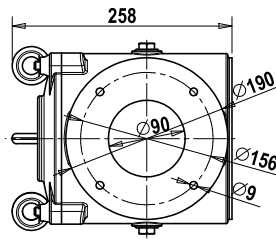
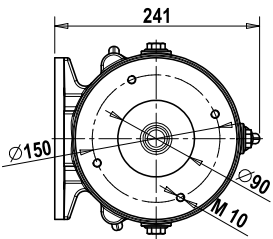
### Overall dimensions – Large filter – code 14450 068 00



**Overall dimensions – Medium filter – code 14450 032 00**



**Overall dimensions – Large filter – code 14450 029 00**

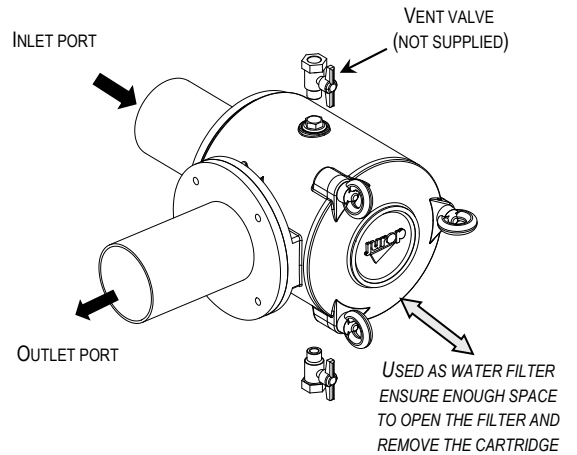


**3. Installation**

The air-water filter must be installed in correspondence of the intake line of the decompressor or of the water pump. We recommend installing it in the proximity of the unping device with **outlet duct placed on the side**: this prevents dirt from entering inside the pump when replacing/cleaning the filter.

We recommend connecting it to the pump using stainless steel pipes (to prevent wet and dry corrosion, especially when used as water filter). The cartridge cleaning (or replacement) frequency can vary according to its use; this is why we recommend **placing it in an easily accessible location**, to simplify maintenance. Moreover, the 1/2" drain for the smaller version, the 3/4" drain for the medium version, and 1" one for the larger version must also be easily accessible to drain the liquid inside the filter (used as air filter, lower valve) and vent the filter (used as water valve, upper valve).

Should any valves be installed, these must ensure the tightness of the device. During the winter season, the liquid contained in the filter must be drained during downtime.



**4. Maintenance**

Under ordinary use conditions, we recommend cleaning the filter on a weekly basis. In the event of heavy duty conditions, clean (or replace) the cartridge every time the line performance appears to be compromised.

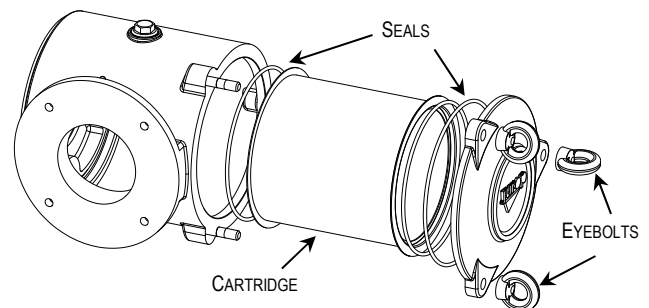
The filter must be cold cleaned.

For routine maintenance proceed as follows:

- Loosen the three eyebolts and remove/open the cover;
- Extract the filtering cartridge (pos. 1) and the relative seals (pos. 4 and the two gaskets pos. 5 for small and medium filter and pos. 8 and the two gaskets pos. 9 for large filter), clean with detergent and blow compressed air until clean;

- Reinstall the previously removed components taking care to place the seals correctly (pos. 4-5 and 8-9).

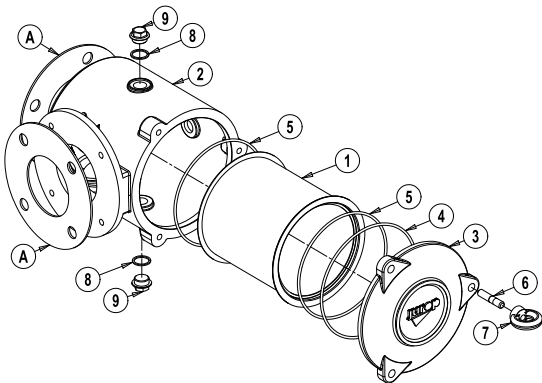
The following figure shows a schematic diagram of the maintenance procedure.



We recommend using non-flammable detergents with passivating and protective properties.

**Recover the liquid detergent and dispose of it in compliance with the standards in force.**

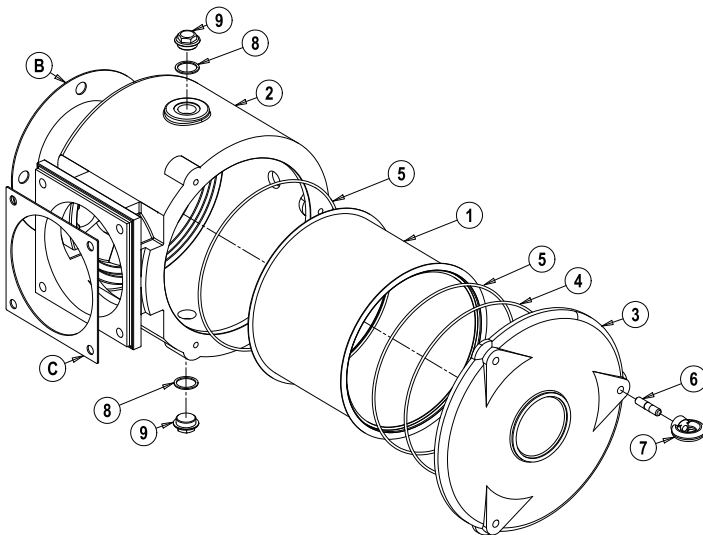
- Dry the cartridge and the entire filter well;

**AIR-WATER SUCTION FILTERS**
**Small air-water filter – code 14450 029 00**


Pos.	Code	Description	Q.ty
1	1545002900	FILTER CARTRIDGE INOX304	1
2	1612100900	FILTER HOUSING	1
3	1640101300	FILTER COVER	1
4	4022200245	O-RING 4675	1
5	4022200257	O-RING 4625	2
6	4026171504	GALV. STUD BOLT 8.8 M10X35	3
7	4026191101	GALV. FEMALE EYELET M10	3
8	4026359003	ALUMINIUM WASHER 21.5X26X1.5	3
9	4026904001	GALV. BLIND COVER 1/2"	3

Accessories available upon request:

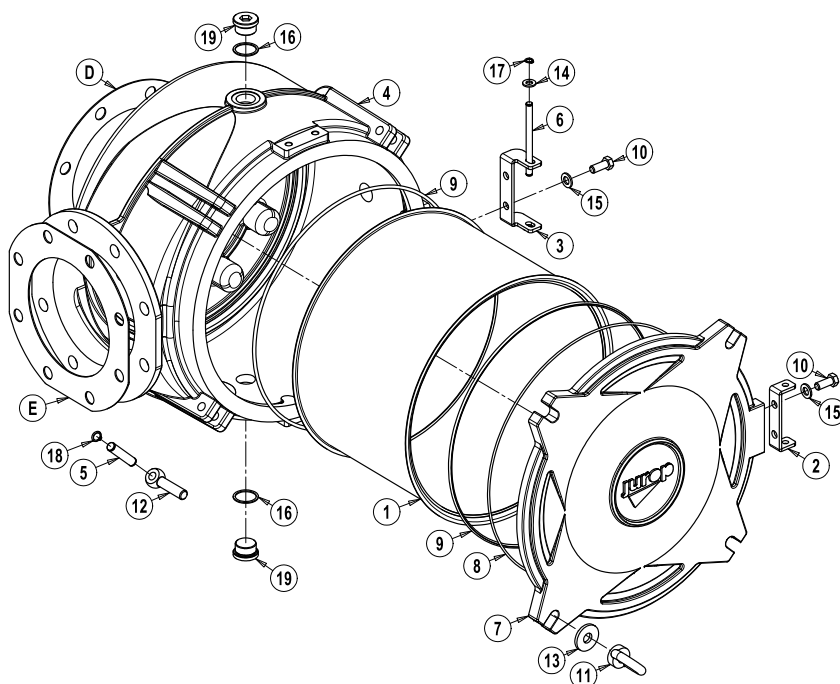
A	16807ZSPA0	ROUND PAPER GASKET DN80 PN6	2
---	------------	-----------------------------	---

**Medium air-water filter – code 14450 032 00**


Pos.	Code	Description	Q.ty
1	1545002700	FILTER CARTRIDGE INOX304	1
2	1612101000	FILTER HOUSING	1
3	1640100500	FILTER COVER	1
4	4022200243	O-RING 4975	1
5	4022200262	O-RING 4950	2
6	4026171506	GALV. STUD BOLT 8.8 M10X45	3
7	4026191101	GALV. FEMALE EYELET M10	3
8	4026359000	ALUMINIUM WASHER 32X26X1.5	3
9	4026904002	GALV. BLIND COVER 3/4"	3

Accessories available upon request:

B	1680609500	NBR ROUND SEAL	1
C	1680609600	SQUARE SEAL	1

**Large air filter – code 14450 068 00**


Pos.	Code	Description	Q.ty
1	15450EDGB0	FILTER CARTRIDGE INOX316	1
2	16120Z8LB0	HINGE 1 FILTER D400	1
3	16120Z8MB0	HINGE 2 FILTER D400	1
4	1612102100	FILTER HOUSING D400	1
5	16220Z8JB0	PIN 1 FILTER D400	4
6	16220Z8KB0	PIN 2 FILTER D400	1
7	1640102800	FILTER COVER D400	1
8	4022200611	O-RING 41700	1
9	4022200612	O-RING 61600	2
10	4026103002	SCREW TE 8,8 M12X30 ZINC.	4
11	4026191103	GALV. FEMALE EYELET M16	4
12	4026191210	GALV.EYELET M16X70	4
13	4026353805	WASHER D.17X45 SP.5	4
14	4026357006	GALV. FLAT WASHER M10	4
15	4026357007	GALV. FLAT WASHER M12	4
16	4026359001	WASHER 40X33,5X1,5 AL.	3
17	4026510008	SEEGER RING E 10	2
18	4026510012	SEEGER RING E 14	8
19	4026701605	GALV. BLIND COVER 1"	3

Accessories available upon request:

D	16807026C0	GASKET DN175 PN10	1
E	1680711800	GASKET DN175 PN10 SM.	1